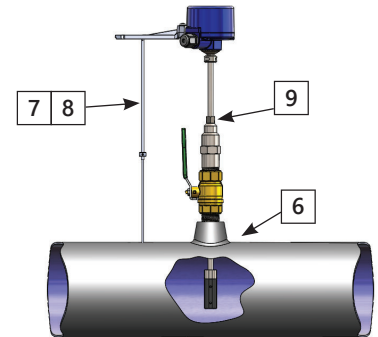


- Install in vertical or horizontal pipe
- For horizontal pipe position meter anywhere in upper 240°



Grounding rings placed before and after the meter are required for installation on non-metallic or lined pipes.

1. Keep the sensor fully withdrawn during installation.
2. Apply paste or Teflon tape as necessary.
3. Thread the hot tap adapter on to ball valve and tighten it as necessary. **DO NOT OVERTIGHTEN.**
4. Maintain a firm grip on the enclosure to counteract the effects of the pressure in the pipe.
5. Slowly open the valve to the fully open position.
6. Slowly push down on the flow meter and pierce the insulation with the gauge allowing the tip of the gauge to contact the pipe.
7. Confirm the bottom of the enclosure contacts the top of the depth gauge.
8. Orient the enclosure to parallel with the pipe and in alignment with the flow direction arrow.
9. Carefully tighten the clamping nut. **DO NOT OVERTIGHTEN.**
10. Refer to the inside lid of the transmitter for wiring instructions and diagram.

**NOTE:** Gauge length is based on the flow meter model and pipe size. To install the flow meter in a different pipe size than the factory configured for, refer to the meter manual in the QR code.



+1 (727) 447-6140  
[www.onicon.com](http://www.onicon.com)



**DO NOT REMOVE TAG**