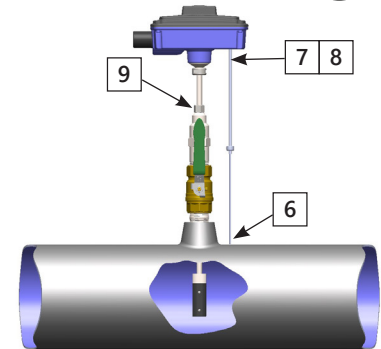


- Install in vertical or horizontal pipe
- For horizontal pipe position meter anywhere in upper 240°



Grounding rings placed before and after the meter are required for installation on non-metallic or lined pipes.

1. Keep the sensor fully withdrawn during installation.
2. Apply paste or Teflon tape as necessary.
3. Thread the hot tap adapter on to ball valve and tighten it as necessary. **DO NOT OVERTIGHTEN.**
4. Maintain a firm grip on the enclosure to counteract the effects of the pressure in the pipe.
5. Slowly open the valve to the fully open position.
6. Slowly push down on the flow meter, piercing any insulation, to ensure the tip of the gauge is in contact with the pipe.
7. Confirm the bottom of the enclosure is in contact with the top of the depth gauge to ensure correct sensor depth.
8. Position the enclosure parallel with the pipe and ensure flow direction arrow matches direction of flow in the pipe.
9. Carefully tighten the clamping nut. **DO NOT OVERTIGHTEN.**

NOTE: Gauge length is based on the flow meter model and pipe size. To install the flow meter in a different pipe size than factory configured for, refer to the meter manual in the QR code.



DO NOT REMOVE TAG

	Wire Color	Description	Notes
POWER / GROUND	Red	(+) 24V Supply voltage	20 - 28 VAC, 60 Hz, 10 VA OR 20 - 28 VDC, 400 mA at 24 VDC. Required for meter operation
	Black	(-) Isolated supply voltage common	
	Green / Yellow	Earth ground connection	
FREQUENCY OUT	Green	(+) Isolated frequency output	Required when connecting to ONICON display or BTU meter
	Yellow	(-) Frequency output common	
ANALOG OUT	Blue	(+) Isolated 4-20mA analog output	2mA = Master Alarm Configurable via PC app. 1V = Master Alarm for 2-10V or 0.5V = Master Alarm for 1-5V
	White	(+) Isolated 2-10V or 1-5V analog output	
	Brown	(-) Isolated analog output common	
DRY CONTACT (Scaled Pulse or Alarm)	Orange / Black	Dry Contact 1	Pulse scaled output for totalization. Example: 1 pulse per 10 gal / 1 pulse per 100 gal
	White / Black		
	Gray / Black	Dry Contact 2	
	Gray	Dry Contact 3	
Violet / Black			
	Violet		Bidirectional Contact (only available on the FT-3400-2)