

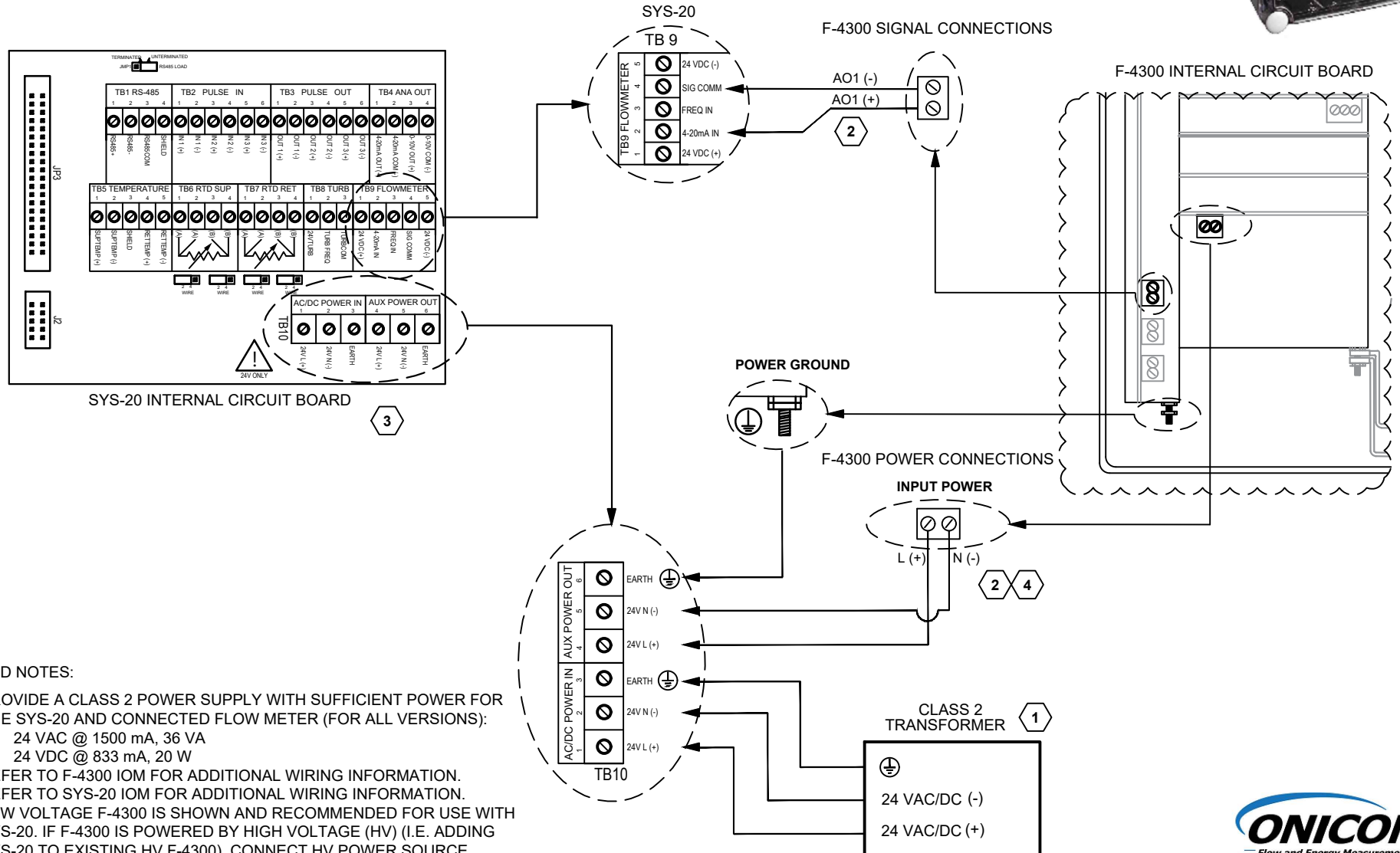


ONICON SYSTEM-20 BTU METER WIRING DIAGRAM

FOR CONNECTION WITH ONICON F-4300 SERIES
CLAMP-ON ULTRASONIC FLOW METERS



FLOW METER SIGNAL CONNECTIONS



KEYED NOTES:

1. PROVIDE A CLASS 2 POWER SUPPLY WITH SUFFICIENT POWER FOR THE SYS-20 AND CONNECTED FLOW METER (FOR ALL VERSIONS):
 - 24 VAC @ 1500 mA, 36 VA
 - 24 VDC @ 833 mA, 20 W
2. REFER TO F-4300 IOM FOR ADDITIONAL WIRING INFORMATION.
3. REFER TO SYS-20 IOM FOR ADDITIONAL WIRING INFORMATION.
4. LOW VOLTAGE F-4300 IS SHOWN AND RECOMMENDED FOR USE WITH SYS-20. IF F-4300 IS POWERED BY HIGH VOLTAGE (HV) (I.E. ADDING SYS-20 TO EXISTING HV F-4300), CONNECT HV POWER SOURCE DIRECTLY TO F-4300.