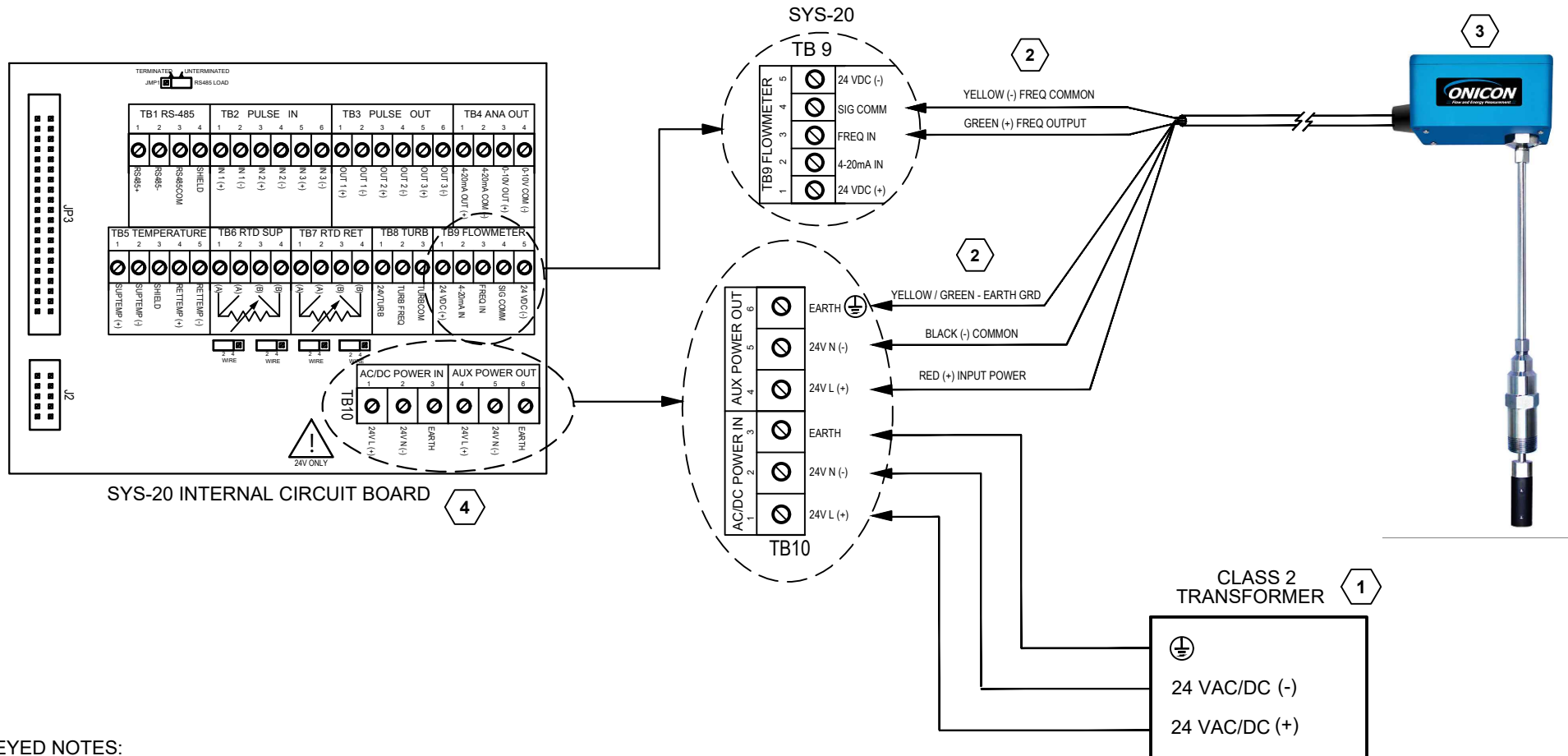




ONICON SYSTEM-20 BTU METER WIRING DIAGRAM

FOR CONNECTION WITH ONICON F-3500 SERIES
INSERTION ELECTROMAGNETIC FLOW METERS

FLOW METER SIGNAL CONNECTIONS



KEYED NOTES:

1. PROVIDE A CLASS 2 POWER SUPPLY WITH SUFFICIENT POWER FOR THE CONNECTED FLOW METER:
 - 24 VAC @ 1000 mA, 24 VA
 - 24 VDC @ 500 mA, 12 W
2. FACTORY WIRE COLORS ARE IDENTIFIED FROM THE FLOW METER. DO NOT REMOVE FACTORY CABLE.
3. REFER TO F-3500 SERIES IOM FOR ADDITIONAL WIRING INFORMATION.
4. REFER TO SYS-20 IOM FOR ADDITIONAL WIRING INFORMATION.