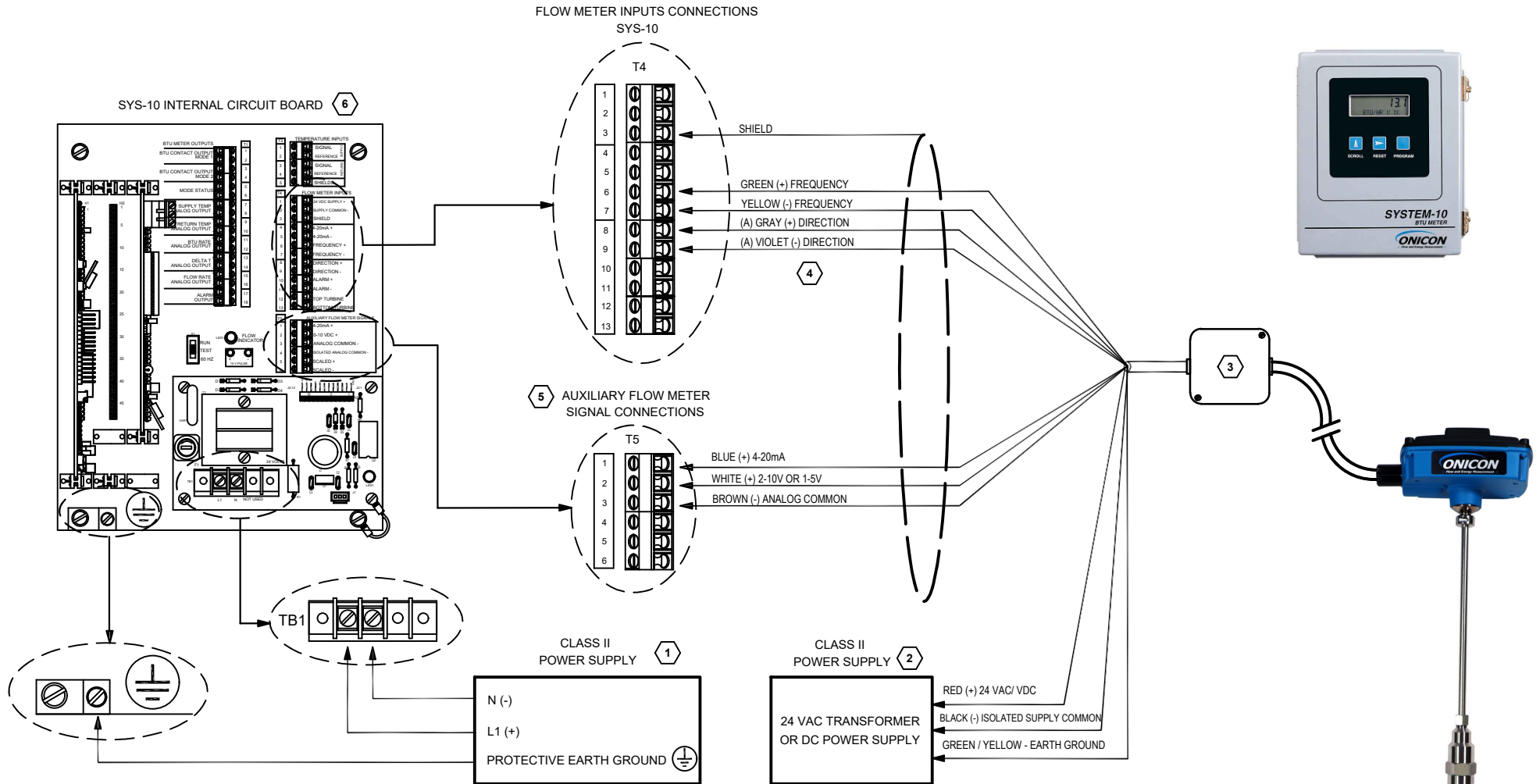


ONICON SYSTEM-10 BTU METER WIRING DIAGRAM

FOR CONNECTION WITH ONICON FT-3400 SERIES INSERTION ELECTROMAGNETIC FLOW METERS



KEYED NOTES:

1. POWER SUPPLY (CLASS 2 POWER SUPPLY FOR 24 VAC) REQUIREMENT (INPUT VOLTAGE IS NOT FIELD SELECTABLE):
 - ♦ 24 VAC: 20-28 VAC, 50/60 Hz, 12 VA
 - ♦ 120 VAC: 108-132 VAC, 50/60 Hz, 15 VA (112 VAC MINIMUM FOR VERSIONS WITH IP COMMS + 4 CHANNEL ANALOG CARD)
 - ♦ 240 VAC: 207-253 VAC, 50/60 Hz, 15 VA (220 VAC MINIMUM FOR VERSIONS WITH IP COMMS + 4 CHANNEL ANALOG CARD)
2. THE SYSTEM-10 DOES NOT PROVIDE POWER TO THE F-3500 FLOW METERS. INPUT POWER FOR THE FLOW METERS MUST BE PROVIDED SEPARATELY. REFER TO FT-3400 IOM FOR ADDITIONAL WIRING INFORMATION.
 - FOR 24 VAC VERSION, IT IS ACCEPTABLE TO POWER THE FT-3400 FLOW METERS FROM THE SYS-10 MAINS TERMINALS (TB1).
 - ♦ 24 VAC: 20-28 VAC, 50/60 Hz, 30 VA TO POWER BOTH FT-3400 AND SYS-10
3. CONNECT FT-3400 FACTORY WIRES TO FIELD WIRES IN APPROPRIATE JUNCTION BOX. DO NOT REMOVE FACTORY WIRES.
4. CONNECTIONS SHOWN WITH (A) ARE USED WITH BI-DIRECTIONAL (FT-3400-2) MODELS ONLY.
 - FACTORY WIRE COLORS ARE SHOWN FROM FLOW METER CABLE OR ADDITIONAL CABLE PROVIDED BY ONICON. FIELD WIRE COLORS MAY CHANGE FROM JUNCTION BOX.
5. AUXILIARY FLOW METER CONNECTIONS ARE NOT USED BY THE BTU METER. BOTH INCOMING AND OUTGOING CONNECTIONS ARE MADE TO THE SAME TERMINAL.
6. REFER TO SYS-10 IOM FOR ADDITIONAL WIRING INFORMATION.