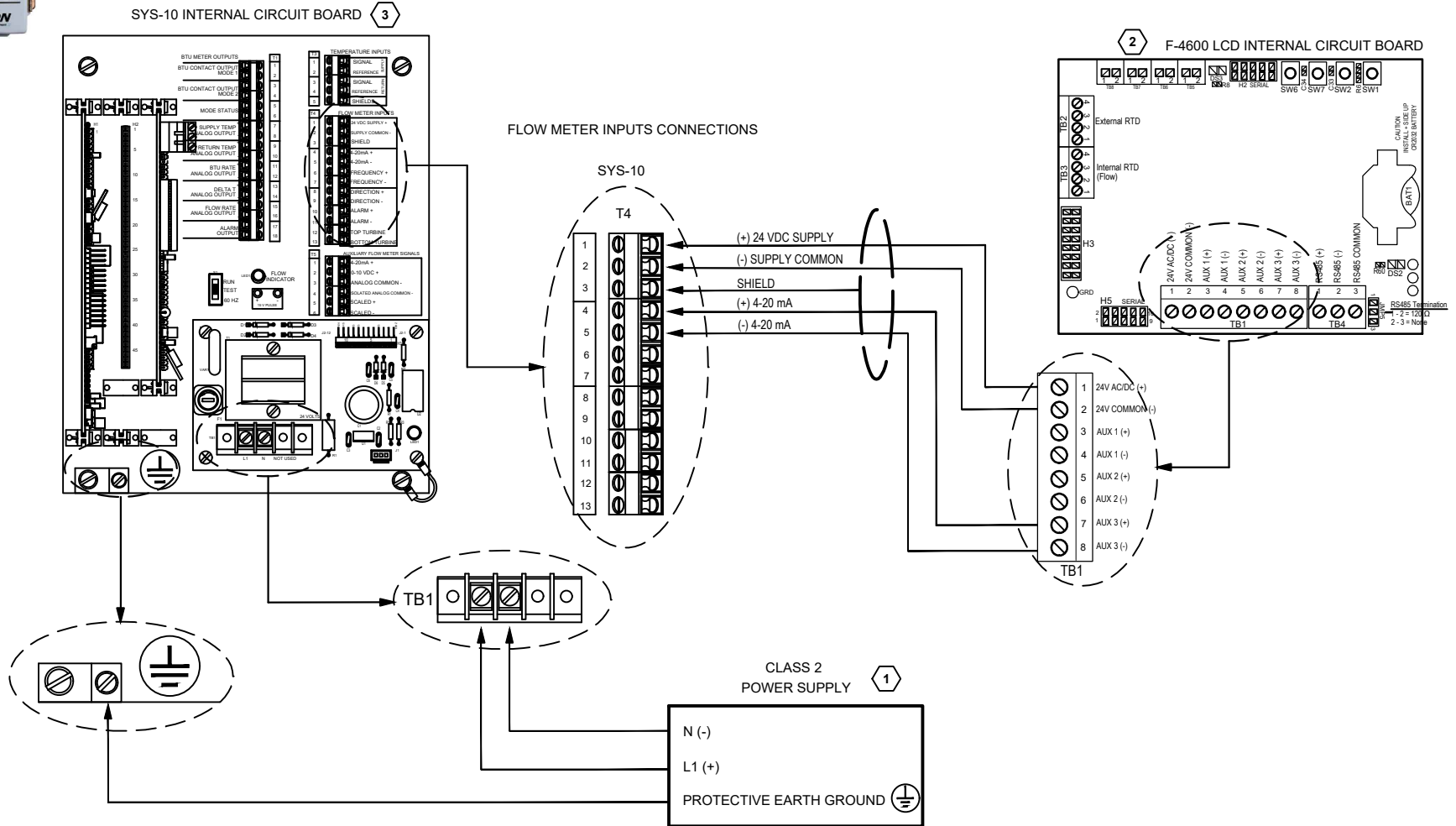




ONICON SYSTEM-10 BTU METER WIRING DIAGRAM

FOR CONNECTION WITH ONICON F-4600 LCD SERIES
INLINE ULTRASONIC FLOW METERS



KEYED NOTES:

- POWER SUPPLY (CLASS 2 POWER SUPPLY FOR 24 VAC) REQUIREMENT (INPUT VOLTAGE IS NOT FIELD SELECTABLE):
 - 24 VAC: 20-28 VAC, 50/60 Hz, 12 VA
 - 120 VAC: 108-132 VAC, 50/60 Hz, 15 VA
 - 240 VAC: 207-253 VAC, 50/60 Hz, 15 VA
- REFER TO F-4600 LCD SERIES IOM FOR ADDITIONAL WIRING INFORMATION.
- REFER TO SYS-10 IOM FOR ADDITIONAL WIRING INFORMATION.