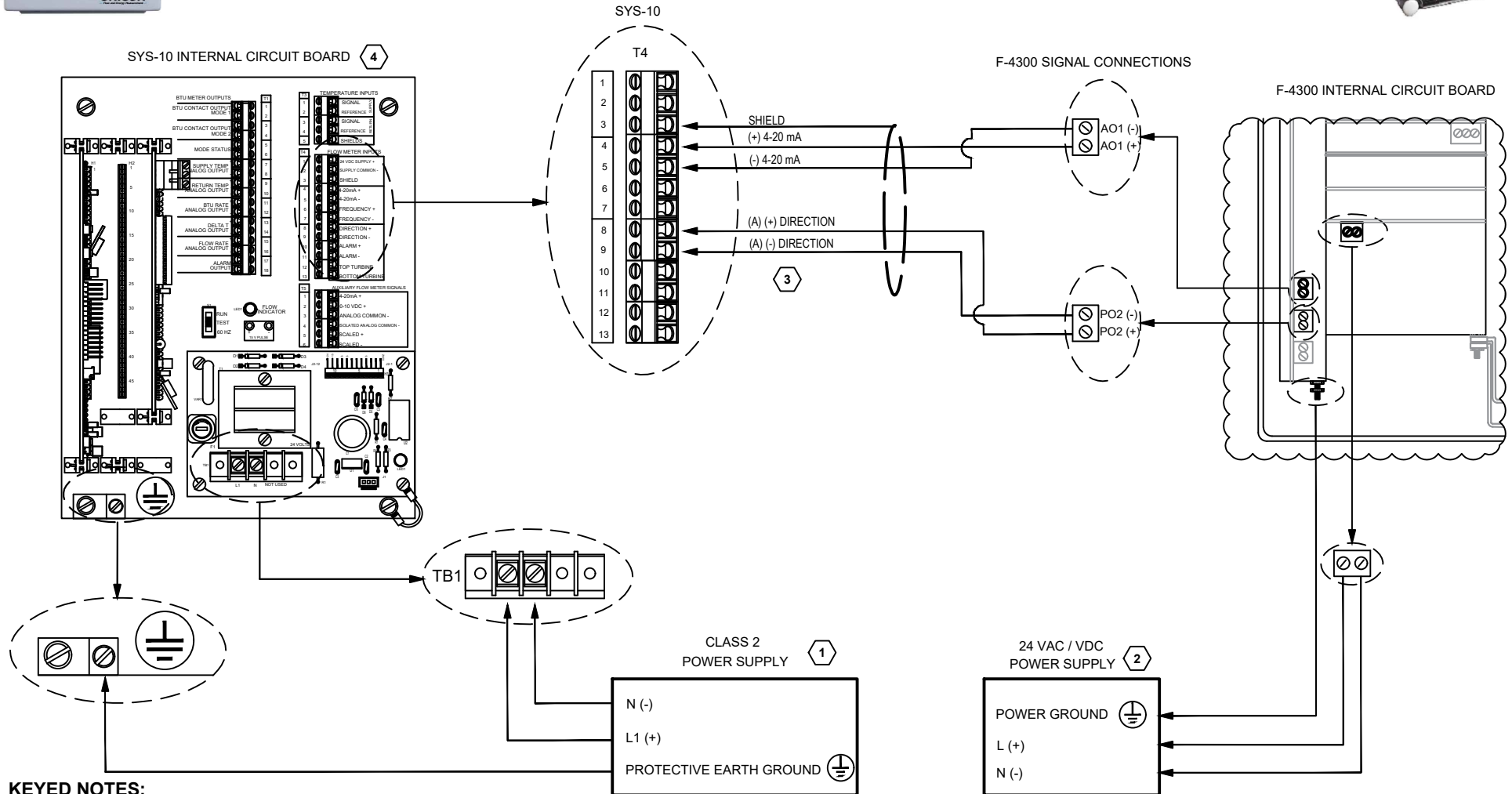


# ONICON SYSTEM-10 BTU METER WIRING DIAGRAM

FOR CONNECTION WITH ONICON F-4300 SERIES  
CLAMP-ON ULTRASONIC FLOW METERS



## FLOW METER INPUTS CONNECTIONS



### KEYED NOTES:

- POWER SUPPLY (CLASS 2 POWER SUPPLY FOR 24 VAC) REQUIREMENT (INPUT VOLTAGE IS NOT FIELD SELECTABLE):
  - 24 VAC: 20-28 VAC, 50/60 Hz, 12 VA
  - 120 VAC: 108-132 VAC, 50/60 Hz, 15 VA
  - 240 VAC: 207-253 VAC, 50/60 Hz, 15 VA
- THE SYSTEM-10 DOES NOT PROVIDE POWER TO THE F-4300 FLOW METERS. INPUT POWER FOR THE FLOW METERS MUST BE PROVIDED SEPARATELY. REFER TO F-4300 IOM FOR ADDITIONAL WIRING INFORMATION.  
 FOR 24 VAC VERSION, IT IS ACCEPTABLE TO POWER THE F-4300 FLOW METERS FROM THE SYS-10 MAINS TERMINALS (TB1).  
 24 VAC: 20-28 VAC, 50/60 Hz, 18 VA
- CONNECTIONS SHOWN WITH (A) ARE USED WITH BI-DIRECTIONAL MODELS ONLY.
- REFER TO SYS-10 IOM FOR ADDITIONAL WIRING INFORMATION.