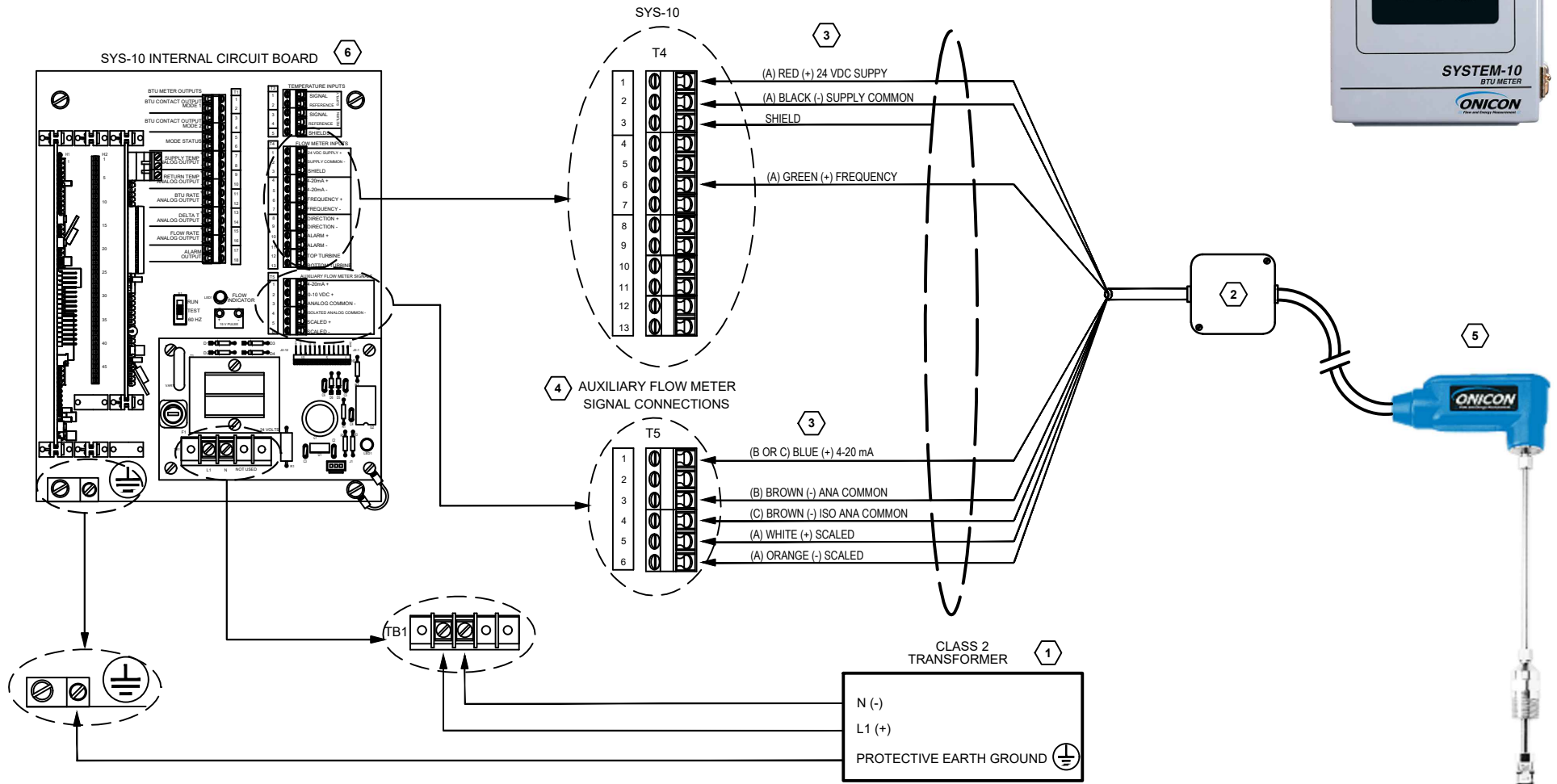


ONICON SYSTEM-10 BTU METER WIRING DIAGRAM

FOR CONNECTION WITH ONICON F-1000 SERIES
TURBINE FLOW METERS



FLOW METER INPUTS CONNECTIONS



KEYED NOTES:

- PROVIDE A POWER SUPPLY (CLASS 2 POWER SUPPLY FOR 24 VAC) WITH SUFFICIENT POWER FOR THE CONNECTED FLOW METER:
 - 24 VAC: 20-28 VAC, 50/60 Hz, 12 VA (22 VAC MINIMUM FOR VERSIONS WITH IP COMMS + 4 CHANNEL ANALOG CARD)
 - 120 VAC: 108-132 VAC, 50/60 Hz, 15 VA (112 VAC MINIMUM FOR VERSIONS WITH IP COMMS + 4 CHANNEL ANALOG CARD)
 - 240 VAC: 207-253 VAC, 50/60 Hz, 15 VA (220 VAC MINIMUM FOR VERSIONS WITH IP COMMS + 4 CHANNEL ANALOG CARD)
- CONNECT FACTORY WIRES TO FIELD WIRES IN APPROPRIATE JUNCTION BOX. DO NOT REMOVE FACTORY WIRES.
- CONNECTIONS SHOWN WITH (A) ARE REQUIRED FOR ALL MODELS.
CONNECTIONS SHOWN WITH (B) ARE USED WITH F-1XXX-10 MODELS.
CONNECTIONS SHOWN WITH (C) ARE USED WITH F-1XXX-11 MODELS.
FACTORY WIRE COLORS ARE SHOWN FROM FLOW METER CABLE OR ADDITIONAL CABLE PROVIDED BY ONICON, FIELD WIRE COLORS MAY CHANGE FROM JUNCTION BOX.
- AUXILIARY FLOW METER CONNECTIONS ARE NOT USED BY THE BTU METER. BOTH INCOMING AND OUTGOING CONNECTIONS ARE MADE TO THE SAME TERMINAL.
- REFER TO F-1000 SERIES IOM FOR ADDITIONAL WIRING INFORMATION.
- REFER TO SYS-10 IOM FOR ADDITIONAL WIRING INFORMATION.