

# F-5000 Series Insertion Thermal Mass Flow Meters

## Installation Kit for Welded Steel Pipe - Low Pressure Applications



For Use with Kit: INSTL0094

Maximum Pressure Flammable Gases	0.5 PSIG
Maximum Temperature	140°F

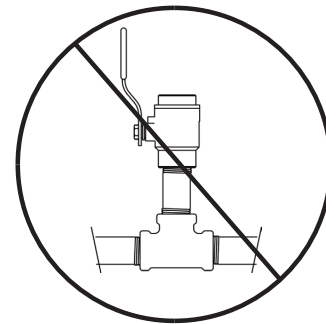
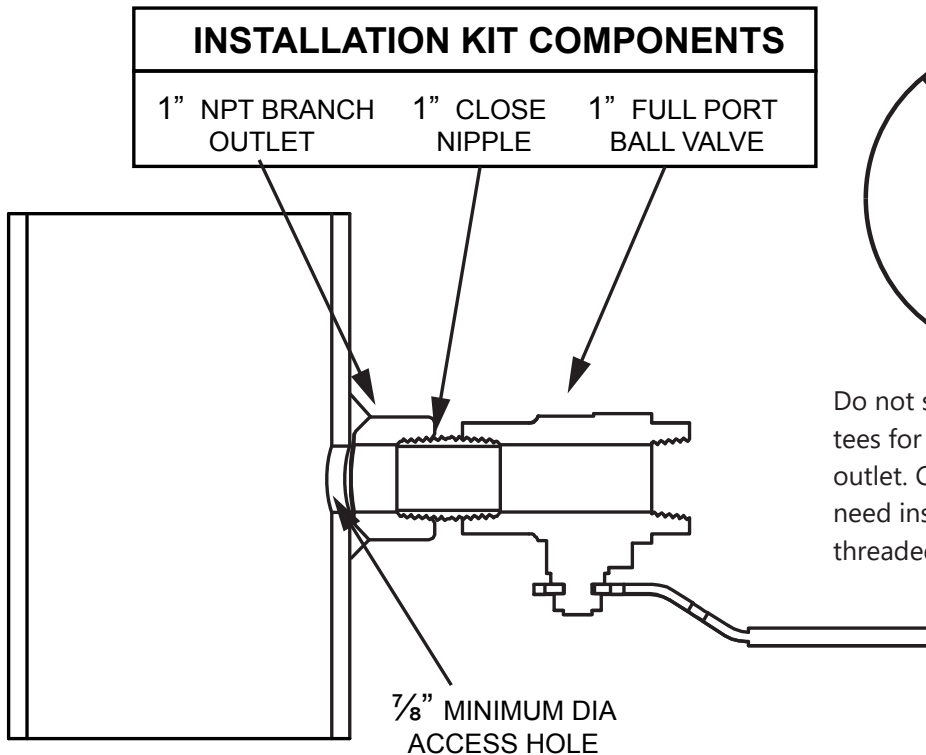
**Note: Please read entire manual before installing the flow meter.**

### Directions for installation during system shutdown:

1. Identify an appropriate location for the flow meter (see IOM).
2. Weld the branch outlet onto the pipe.
3. Drill a 7/8" (minimum) access hole, centered in the branch outlet.
4. Install the close nipple and ball valve as shown below. Use a paste type thread sealant or Teflon® tape as needed.
5. Flush and pressurize the system.

### IMPORTANT NOTE

ONICON insertion flow meters are precision measuring devices that must be installed according to the instructions contained in this document in order to maintain their accuracy and reliability. Failure to follow these instructions will result in erratic operation and reduced accuracy.



Do not substitute threaded tees for the welded branch outlet. Contact ONICON if you need installation hardware for threaded pipe.