

F-5000 Series Insertion Thermal Mass Flow Meters Hot Tap Installation Kit for Welded Steel Pipe



For Use with Kit: **INSTL0094-FMH**

Maximum Pressure Flammable Gases	125 PSIG
Maximum Pressure Non-Flammable Gases	150 PSIG
Maximum Temperature	140°F

Note: Please read entire manual before installing the flow meter.

This kit can be installed during a system shutdown or on a pressurized pipe. Once installed, this kit allows for insertion and removal of the flow meter without a system shutdown. For installations on a pressurized pipe, a hot tap drilling machine is used to create a 7/8" opening in the pipe wall.

IMPORTANT NOTE

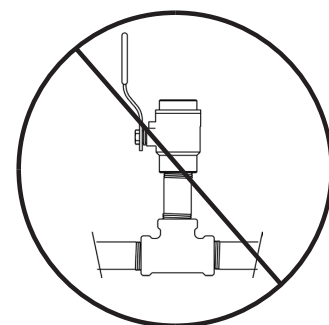
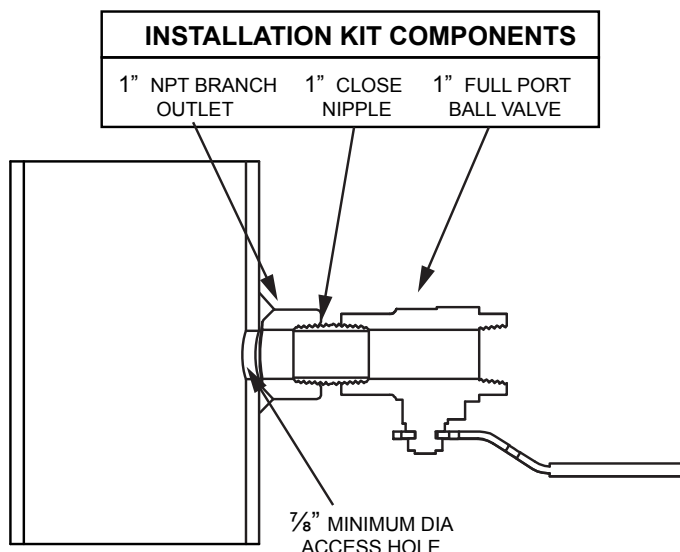
ONICON insertion flow meters are precision measuring devices that must be installed according to the instructions contained in this document in order to maintain their accuracy and reliability. Failure to follow these instructions will result in erratic operation and reduced accuracy.

Directions for installation during system shutdown:

1. Identify an appropriate location for the flow meter (see IOM).
2. Weld the branch outlet onto the pipe.
3. Drill a 7/8" (minimum) access hole, centered in the branch outlet.
4. Install the close nipple and ball valve as shown below. Use a paste type thread sealant or Teflon® tape as needed.
5. Flush and pressurize the system.

Directions for installation in a pressurized system:

1. Identify an appropriate location for the flow meter (see IOM).
2. Weld the branch outlet onto the pipe.
3. Install the close nipple and ball valve as shown below. Use a paste type thread sealant or Teflon® tape as needed.
4. Use a hot tap drilling machine to create the 7/8" access hole.
5. Remove the drill and clear all debris out of the valve.



Do not substitute threaded tees for the welded branch outlet. Contact ONICON if you need installation hardware for threaded pipe.