

F-3100 SERIES
Inline Electromagnetic Flow Meter
Installation & Basic Operation Guide



SAFETY INFORMATION

This meter was calibrated at the factory before shipment. To ensure correct use of the meter, please read this manual thoroughly.

Regarding this Manual:

- This manual should be passed on to the end user.
- Before use, read this manual thoroughly to comprehend its contents.
- The contents of this manual may be changed without prior notice.
- All rights reserved. No part of this manual may be reproduced in any form without ONICON's written permission.
- ONICON makes no warranty of any kind with regard to this material, including, but not limited to, implied warranties of merchantability and suitability for a particular purpose.
- All reasonable effort has been made to ensure the accuracy of the contents of this manual. However, if any errors are found, please inform ONICON.
- ONICON assumes no responsibilities for this product except as stated in the warranty.
- If the customer or any third party is harmed by the use of this product, ONICON assumes no responsibility for any such harm owing to any defects in the product which were not predictable, or for any indirect damages.

Safety Precautions:

The following general safety precautions must be observed during all phases of installation, operation, service, and repair of this product. Failure to comply with these precautions or with specific WARNINGS given elsewhere in this manual violates safety standards of design, manufacture, and intended use of the product. ONICON Incorporated assumes no liability for the customer's failure to comply with these requirements. If this product is used in a manner not specified in this manual, the protection provided by this product may be impaired.

The following symbols are used in this manual:



WARNING

Messages identified as "Warning" contain information regarding the personal safety of individuals involved in the installation, operation or service of this product.



CAUTION

Messages identified as "Caution" contain information regarding potential damage to the product or other ancillary products.



IMPORTANT NOTE

Messages identified as "Important Note" contain information critical to the proper operation of the product.

TABLE OF CONTENTS

1.0	INTRODUCTION	7
1.1	Purpose Of This Guide	7
1.2	Principle Of Operation	7
1.3	Typical Flow Meter Installation	7
1.4	Standard Features And Specifications.....	8
1.5	Additional Hardware That May Be Required.....	9
1.5.1	Grounding Rings	9
1.5.2	Gaskets	10
1.6	Working Environment	10
1.7	Warranty And Serial Number	10
2.0	UNPACKING	11
2.1	Checking That You Have Received Everything.....	11
3.0	INSTALLATION.....	12
3.1	Site Selection	12
3.1.1	General Guidelines	13
3.1.2	Flow Direction	13
3.1.3	Remote Mount Transmitter	13
3.1.4	Minimum Straight Run Requirements.....	14
3.2	Mechanical Installation	15
3.2.1	Standard Transmitter Dimensions	15
3.2.2	Sensor Body Dimensions & Weights	16
3.2.3	Installation Drawing For Conductive Pipe	19
3.2.4	Installation Drawing For Non Conductive Pipe	21
3.2.5	Installation Drawing For Threaded Connections	22
3.2.6	Installation Instructions	23
3.2.7	Torque Specifications	25
3.2.8	Remote Mount Transmitter	26
3.3	Electrical Installation	27
3.3.1	Input Power Requirements.....	27
3.3.2	Power And Output Signal Wiring Instructions	27
3.3.3	Earth Connection	30
3.3.4	Remote Mount Cable Wiring Instructions	31

TABLE OF CONTENTS (CONTINUED)

4.0	F-3100 START-UP AND COMMISSIONING	32
4.1	Display And Keypad Operation.....	33
4.2	Helpful Hints For Start-Up And Commissioning	34
4.3	Start-Up And Commissioning.....	34
4.4	Start-Up And Commissioning Worksheet.....	35
4.5	Troubleshooting Guide	35
4.6	Alarm Interpretation And Standard Led's.....	36

APPENDIX

A-1/A-3 FIELD REMOTE MOUNTING THE TRANSMITTER

A-4 CONDITIONS OF SALE

SECTION 1.0: INTRODUCTION

1.1 PURPOSE OF THIS GUIDE

The purpose of this guide is to provide installation and commissioning procedures and basic operating instructions for the F-3100 Inline Electromagnetic Flow Meter.

1.2 PRINCIPLE OF OPERATION

The operating principles of ONICON F-3100 Inline Electromagnetic Flow Meters are based on Faraday's Law of Electromagnetic Induction. Faraday's Law states that a voltage will be induced in a conductor (water or other conductive liquid) when it passes through a magnetic field (generated by the meter), and the induced voltage will be directly proportional to the velocity of the conductor. By placing electrodes on opposite sides of the flow tube, it is possible to accurately measure the induced voltage and determine the corresponding velocity of the flowing liquid.

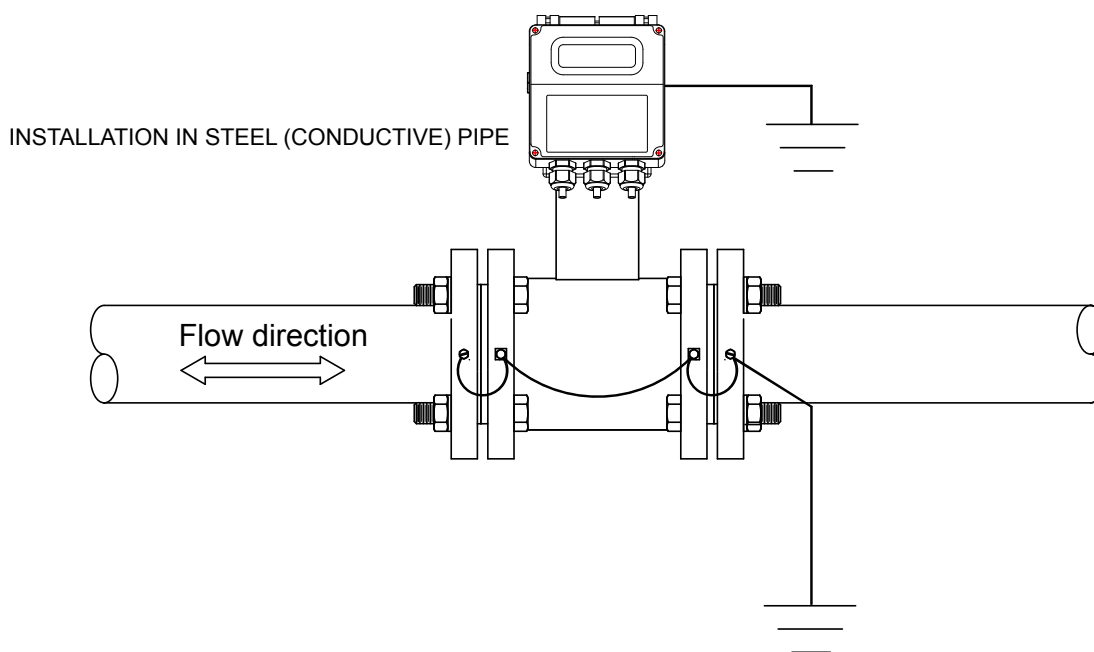


WARNING

Only qualified service personnel should attempt to install or service this product. Serious injury may result from the improper installation or use of this product.

1.3 TYPICAL FLOW METER INSTALLATION

ONICON'S F-3100 Series Inline Magnetic Flow Meters are suitable for volumetric flow measurement of electrically conductive liquids in a wide variety of applications including bi-directional applications.



1.4 STANDARD FEATURES AND SPECIFICATIONS

A built-in user interface & display

A single 4 – 20 mA output for flow rate

Two programmable open collector pulse outputs. Outputs may be programmed to provide:

- * an indication of flow direction
- * a scaled pulse for totalizing flow
- * a high resolution frequency output to drive peripheral devices
- * an indication of an alarm condition

Empty pipe detector

Internal self-diagnostic functions & fault alarms

CALIBRATION

Flow meters are wet calibrated in a flow laboratory against standards that are directly traceable to government standards. A certificate of calibration accompanies every meter.

ACCURACY

- ± 0.4% of reading from 3.3 to 33 ft/sec
- ± 0.8% of reading from 1 to 3.3 ft/sec
- ± 0.0075 ft/s at flows less than 1 ft/s

PROGRAMMING

Factory programmed for specific application

MEMORY

Nonvolatile memory retains all program parameters and totalized values in the event of power loss.

DISPLAY

Alphanumeric LCD displays total flow, flow rate, flow direction & alarm conditions

OUTPUT SIGNALS

Isolated 4 – 20 mA analog output for flow rate
Two programmable open collector pulse outputs (configurable for frequency, pulse or directional flow)

TEMPERATURE RANGE

Liquid temperature range:
Polypropylene liner: 32° to 140°F
Ebonite liner: 23° to 175°F
PTFE liner: -4° to 212° F (266° F with remote electronics)
Ambient temperature range: 14° to 122°F

MAINTENANCE

Periodically inspect the power supply cables, cable glands and the enclosure for signs of damage. Inspect installation and mounting hardware for loose connections.

MECHANICAL

Electronics Enclosure:

Standard: Nylon NEMA 4
Optional: Remote mount transmitter version, maximum distance from the sensor is 65ft.

Outer Body Material:

Standard: Carbon Steel, Painted
Optional: 316 Stainless Steel

Flow Tube (Internal):

304 Stainless Steel

Connection Type:

Standard: ANSI 150 Class Flange
Optional: ANSI 300 Class Flange
Optional: Wafer
Optional: Threaded Process Connection

ELECTRICAL

This equipment is intended for INSTALLATION CATEGORY (OVERVOLTAGE CATEGORY) II applications.

Input Power - Factory Selectable:

Standard - 90 to 265 VAC, 45 to 66 Hz, and 35 mA maximum
Optional - 10 to 63 VDC, 15 to 45 VAC, 45 to 66 Hz and 300 mA maximum

Overcurrent Protective Device Ratings:

Supply mains overcurrent protective devices with the following ratings:

- 120 VAC 50/60 Hz – 15 A
- 230 VAC 50 Hz – 6 A

Wiring:

Flow signals - Use 18-22 AWG shielded cable
Standard input power - Use a three wire service with one wire a protective earth ground. The installation must comply with all local, state and federal building codes.

Optional input power - Use PVC jacketed copper cable with a wire gauge suitable for the length of run and required maximum current carrying capacity. The installation must comply with all local, state and federal building codes.

PRESSURE AND CONDUCTIVITY

Maximum Operating Pressure (Exclusive of flange rating)
Ebonite: 1000PSI
Polypropylene: 230PSI
PTFE: 580PSI
Minimum Fluid Conductivity:
5 microsiemens/centimeter

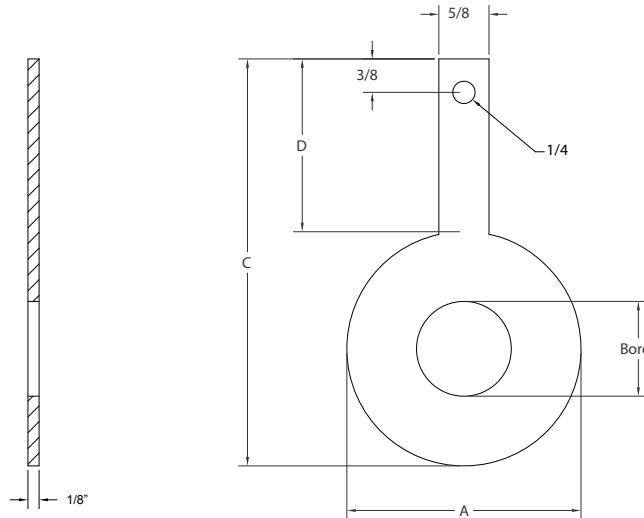
Note: Specifications are subject to change without notice.

Approvals: **CE NSF - 61**

1.5 ADDITIONAL HARDWARE THAT MAY BE REQUIRED

1.5.1 Grounding Rings

Grounding rings may be required whenever meters are installed in non-metallic or lined pipes. Grounding rings placed before and after the meter eliminates electrical noise that will interfere with the proper operation of the meter. ONICON provides grounding rings as an optional accessory. Grounding ring dimensional information and part numbers are listed below. For proper operation, grounding rings are required before and after the meter.



Grounding Ring Dimensions & ONICON Part Numbers

Nominal Size	Bore	A	C	D	T	316 SS Part #
1"	1 - 1/16	2 - 5/8	4 - 9/16	1 - 15/16	1/8	15212
1.5"	1 - 9/16	3 - 3/8	5 - 5/16	1 - 15/16	1/8	15213
2"	2 - 1/16	4 - 1/8	6 - 1/16	1 - 15/16	1/8	15214
3"	3 - 1/16	5 - 3/8	7 - 5/16	1 - 15/16	1/8	15215
4"	4 - 1/16	6 - 7/8	8 - 13/16	1 - 15/16	1/8	15216
6"	6	8 - 3/4	10 - 11/16	1 - 15/16	1/8	15217
8"	8	11	12 - 15/16	1 - 15/16	1/8	15218
10"	9 - 1/2	13 - 3/8	15 - 5/8	2 - 1/4	1/8	15219
12"	11 - 9/16	16 - 1/8	18 - 9/16	2 - 7/16	1/8	15220
14"	13 - 1/2	17 - 3/4	20 - 3/8	2 - 5/8	1/8	15221
16"	15 - 1/4	20 - 1/4	22 - 7/8	2 - 5/8	1/8	15222
18"	17 - 3/8	21 - 5/8	24 - 1/4	2 - 5/8	1/8	15223
20"	19	23 - 7/8	26 - 11/16	2 - 13/16	1/8	15224
24"	23	28 - 1/4	31 - 1/8	2 - 7/8	1/8	15225
30"	29	34 - 3/4	38	3 - 1/2	1/8	15226
36"	35	41 - 1/4	45 - 1/4	4	1/8	15227
42"	41	48	52 - 1/2	4 - 1/2	1/8	15228

1.5.2 Gaskets

Gaskets are required for sensor bodies with ebonite and polypropylene liners and are strongly recommended for meters with PTFE liners. Gasket dimensions must comply with ASME B16.5 flange standards. ONICON is not a gasket manufacturer and does not supply gaskets for this product.

The following general suggestions are provided to assist the installer in choosing the proper gasket material. In all cases, the responsibility of selecting the appropriate material rests with the installer.

Gaskets are used to create a seal between the flow meter liner surface and the surface of the mating flange. The proper choice of gasket material will allow for a leak free connection at the time of installation and maintain that seal over time. How well the gasket works depends on a number of factors. Each of these should be considered when choosing a gasket material.

- Is it chemically compatible with the fluid?
- Will it withstand the expected minimum and maximum operating temperatures?
- Does it provide enough resiliency and creep resistance to maintain loading over time?
- Will it deform enough to create a seal by filling imperfections in the sealing surfaces?
- Is it thick enough to take up variations in flatness of the surface?

In many cases a simple 1/8" red rubber gasket with a Shore A hardness (Durometer) of 60 – 80 will suffice. Your local gasket supplier should be able to guide you in selecting the best material for your application.

1.6 WORKING ENVIRONMENT

The F-3100 was designed for installation and use in typical industrial environments that are free of corrosive liquids and fumes, direct liquid exposure, direct sunlight, temperature extremes and vibrations.

The operating ambient air temperature range is -4° F to 140° F.

The electrical power should be relatively clean, free of high frequency noise, large voltage transients, and protected from power surges and brown outs.

1.7 WARRANTY & SERIAL NUMBER

Warranty

ONICON's complete warranty is included in Appendix A of this manual as part of the "Conditions of Sale". ONICON provides a two-year warranty.

Serial Number

The F-3100 has 2 separate serial numbers. The transmitter serial number is located on the identification plate located on the electronics enclosure. The sensor serial number is located on the identification plate located on the sensor body.

SECTION 2.0: UNPACKING

The F-3100 is generally shipped in one package unless optional hardware or equipment is ordered. Notify the freight carrier (all products are shipped insured) and ONICON's Customer Service Department if any items are damaged in transit.

2.1 CHECKING THAT YOU HAVE RECEIVED EVERYTHING

- **Standard Documentation**

Enclosed with each F-3100 is a comprehensive documentation package that includes the following items:

Certificate of Calibration
The F-3100 Installation and Operation Guide

Please notify ONICON if any of these items are missing.



FLOW METER		ONICON
CERTIFICATE OF CALIBRATION		ONICON
CALIBRATION & CONFIGURATION DATA for F-3000 SERIES MAGNETIC FLOW METERS		
METER DATA	CALIBRATION OF PRIMARY FLOW ELEMENT	
Meter Tag: CT-808	Ka Factor: -1.8959	
Model: F-3100-111	Medium: Water	
Serial Number: 228177	Primary Calibration Date: 4/12/2011	
Component S/N's: 0453420-10361001		
Meter Size: 3"		
Max. Operating Pressure: 225 psi		This meter was manufactured for ONICON Incorporated. The original manufacturer certifies that this flow meter was calibrated against standards that are traceable to NIST, Italy.
Max. Operating Temperature: 212 °F		
Connections: ANSI 150# Class Flanges		
Peripheral device serial number: 228177		
FACTORY PROGRAMMED OUTPUT SIGNALS (Reference ONICON Factory calibration program in the back)		
Operating Flow Range: 0.00 m³/h to 10.00 m³/h	200 pulses	
Full Scale Frequency Output	200.00 Hz	
Output Pulse Output: 1 pulse =	100 Gallons	
Programmed By: GS	Date: 5/25/2011	

- **Integral Mount Transmitter**

F-3100 Inline Electromagnetic Flow Meters with integrally mounted transmitters are shipped fully assembled. Remove the meter from the shipping carton and inspect it for physical damage.

- **Remote Mount Transmitter**

F-3100 Inline Electromagnetic Flow Meters ordered with the remote transmitter mounting option will be shipped in one carton that contains the flow sensor body, the transmitter with mounting hardware and the necessary cable to connect the two together. Remove each and inspect it for physical damage.



IMPORTANT NOTE

F-3100 transmitters and sensor bodies are two parts of one uniquely calibrated system and must be installed together. Mixing components from other systems will result in significant calibration errors.

- **Grounding Rings**

Grounding rings are optional accessories that may be required for proper installation. Grounding rings may be shipped in a separate carton. Remove each and inspect it for physical damage.

SECTION 3.0: INSTALLATION

The F-3100 Inline Electromagnetic Flow Meter should be installed by experienced plumbers, electricians and others with related knowledge and experience in the heating, cooling, and fluid metering fields. ONICON will be happy to assist with technical recommendations and to provide guidance by telephone and/or email. On-site field engineering, installation and service are also available at an additional cost.

The installer should use good trade practices and must adhere to all state and local building or other applicable codes.

3.1 SITE SELECTION

Careful attention during the site selection process will help the installers with the initial installation, reduce start-up problems, and make future maintenance easier. For example, do not install the flow meter where it will be difficult for personnel to perform periodic maintenance. When selecting a site for mounting, consider the criteria under Section 1.6, WORKING ENVIRONMENT, as well as the following:



IMPORTANT NOTE

Proper site selection is critical to the performance of this flow meter. The flow meter must be properly located within the piping system in order to ensure an accurate flow measurement.

3.1.1 General Guidelines

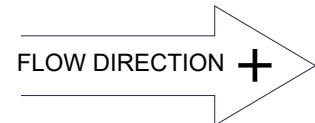
When properly installed, the flow meter will only measure flow associated with that portion of the piping system for which the flow measurement is being made. Choose the location with the longest straight unobstructed run of pipe, keeping in mind that in some applications it may be possible to locate the meter in either the supply or return pipe.

3.1.2 Flow Direction

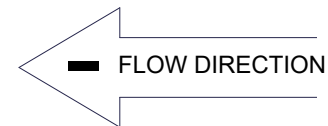
F-3100 flow meters are inherently bi-directional and changes in flow direction are indicated by a change in polarity of the sensing signal. In order for the meter to display the correct polarity, it is necessary to orient the meter relative to flow direction during the installation process. The sign of the flow rate is positive when the flow direction is from – to + as printed on the tag plate as shown below. Prior to installation, determine the direction of flow in the piping system and orient the meter accordingly.



Flow in this direction will display as positive on the LCD display.



Flow in this direction will display as negative on the LCD display.



IMPORTANT NOTE

Flow direction is indicated by polarity symbols (+/-) and flow totals are accumulated separately based on direction. The polarity of the flow indication may be reversed by reversing the polarity of the Ka coefficient.

3.1.3 Remote Mounted Transmitter

Find an easily accessible location where wire connections can be made and meter readings can be taken from floor level. Mount the transmitter on a vibration free surface. Avoid locations that contain electric motors or other strong sources of electrical interference.



IMPORTANT NOTE

The maximum distance between the transmitter and sensor body is 65ft. Contact ONICON if the transmitter needs to be more than 65ft from the sensor body.

3.1.4 Minimum Straight Run Requirements

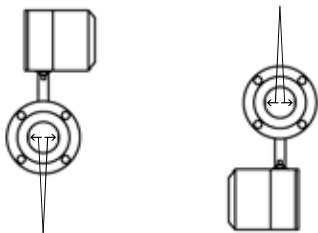
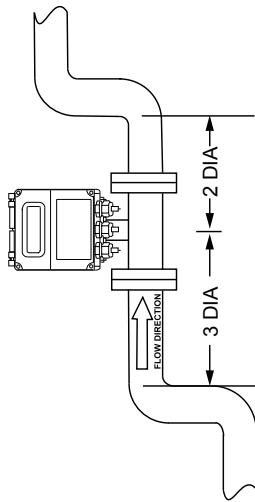
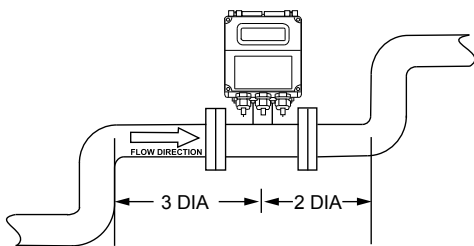
The straight run requirements presented below represent the minimum requirements for accurate flow measurement. For optimum performance, provide as much additional straight run as possible.



IMPORTANT NOTE

For proper operation, install the flow meter in a straight run of pipe free of bends, tees, valves, transitions and obstructions for a distance of **at least 3 diameters upstream and 2 diameters downstream**.

Recommended Installation



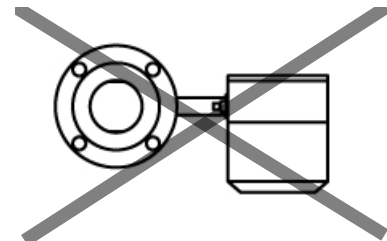
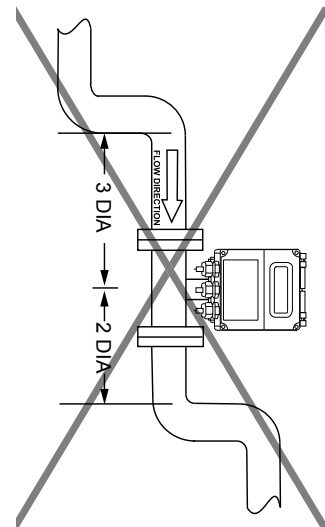
Electrode Location

Place flow meter at least 3 pipe diameters upstream and 2 pipe diameters downstream from bends and obstructions.

Avoid downward flow which can lead to partially filled pipes.

The electrodes should be located in the horizontal axis (3 o'clock and 9 o'clock) in order to prevent sediment from settling on them.

Avoid these installations



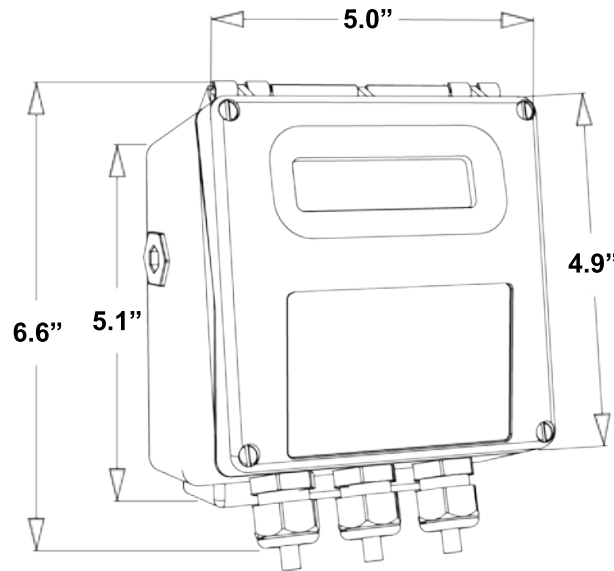
3.2 MECHANICAL INSTALLATION



IMPORTANT NOTE

F-3100 transmitters and sensor bodies are two parts of one uniquely calibrated system and must be installed together. Mixing components from other systems will result in significant calibration errors.

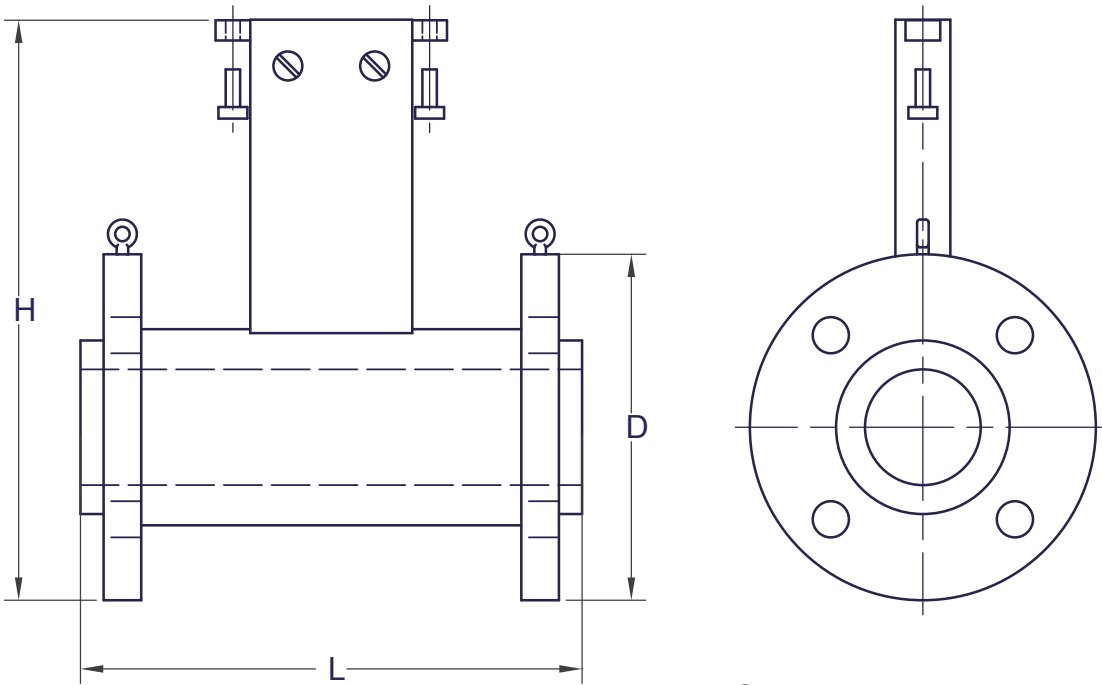
3.2.1 Standard Transmitter Dimensions



Net weight 1.6 lbs

3.2.2 Sensor Dimensions & Weights

Ansi Class 150 Flanged Sensor Overall Dimension



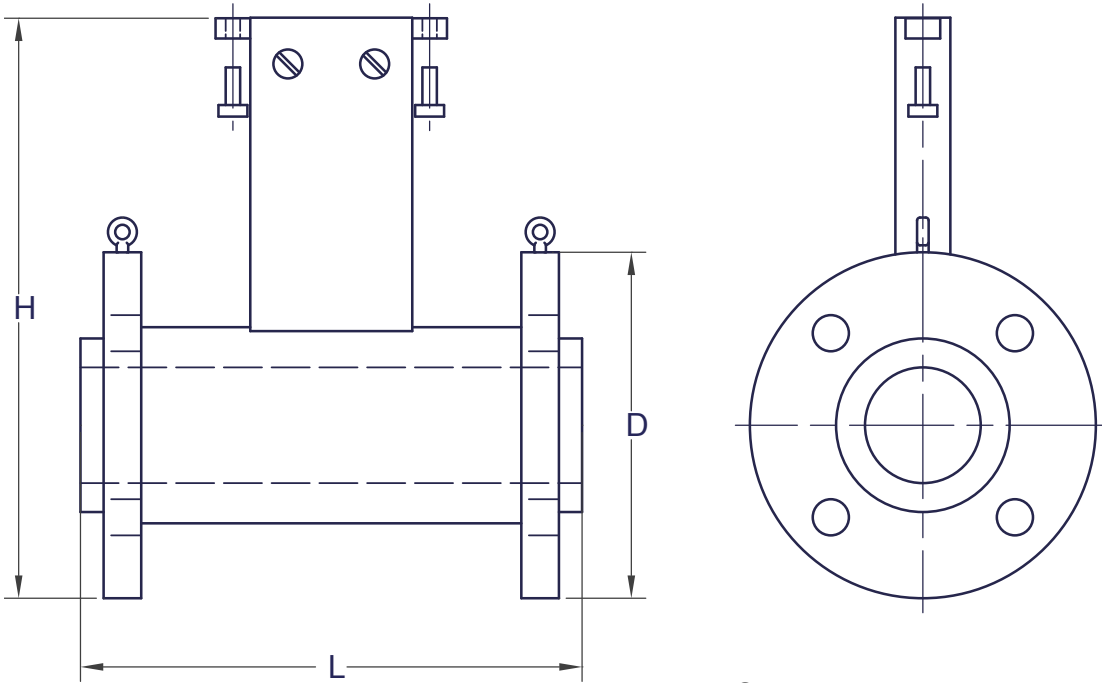
Shown with 4-bolt pattern

	Sensor Size											
Nominal Diameter	1"	1.25"	1.5"	2"	2.5"	3"	4"	5"	6"	8"	10"	12"
Length (L above)	7.87	7.87	7.87	7.87	7.87	7.87	9.84	9.84	11.81	13.78	17.72	19.68
Height (H above)	7.13	7.55	8.15	8.74	9.64	10.20	11.34	12.40	13.43	15.79	18.15	20.75
Flange Dia (D above)	4.24	4.64	5.00	5.98	7.00	7.52	9.02	10.00	10.98	13.50	15.98	19.02
Weight in lbs	6.60	6.60	7.70	13.20	17.60	24.20	35.20	39.60	57.20	88	132	220

	Sensor Size											
Nominal Diameter	14"	16"	18"	20"	24"	26"	30"	34"	36"	42"	48"	
Length (L above)	21.65	23.62	23.62	23.62	23.62	25.59	29.53	33.46	35.43	41.33	47.24	
Height (H above)	22.91	25.16	27.08	29.57	34.09	36.26	40.63	45.24	47.48	53.34	60.23	
Flange Dia (D above)	20.98	23.50	25.00	27.52	32.01	34.25	38.74	43.74	45.98	53.00	59.49	
Weight in lbs	275	396	484	550	650	726	990	1276	1320	2112	2500	

Sensor Dimensions & Weights

Ansi Class 300 Flanged Sensor Overall Dimension

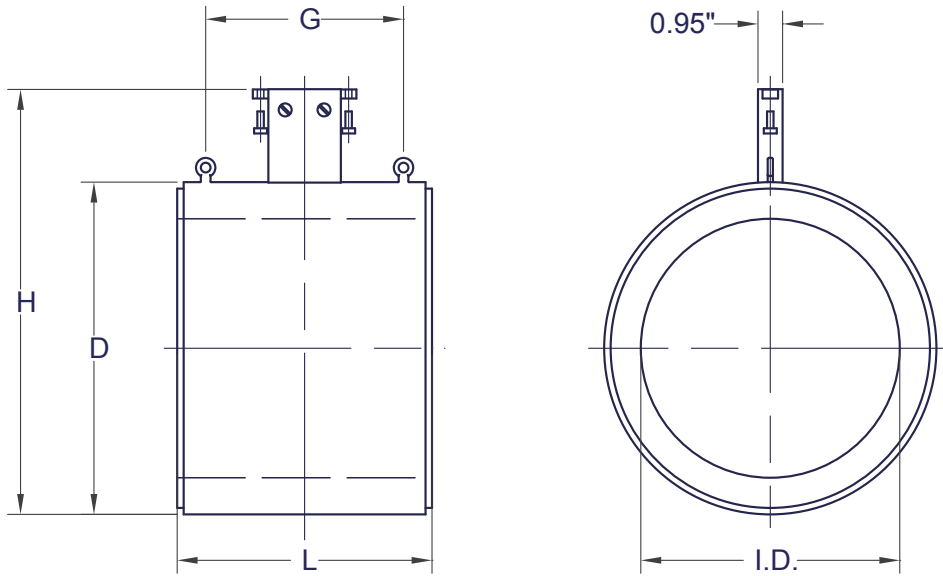


Shown with 4-bolt pattern

	Sensor Size											
Nominal Diameter	1"	1.25"	1.5"	2"	2.5"	3"	4"	5"	6"	8"	10"	12"
Length (L above)	7.87	7.87	7.87	7.87	7.87	7.87	9.84	9.84	11.81	13.78	17.72	19.68
Height (H above)	7.48	7.83	8.70	8.98	9.88	10.55	11.81	12.91	14.17	16.54	18.90	21.50
Flange Dia (D above)	4.88	5.24	6.14	6.50	7.52	8.27	10.00	10.98	12.52	15.00	17.52	20.51
Weight in lbs	11.00	11.00	15.40	19.80	24.20	28.60	44.00	52.80	66	154	220	286

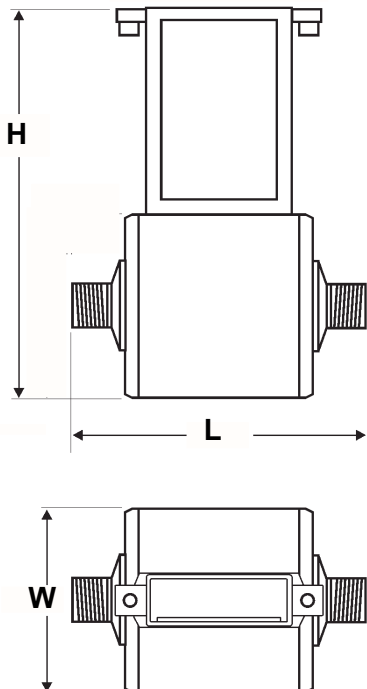
	Sensor Size								
Nominal Diameter	14"	16"	18"	20"	24"	26"	30"	34"	36"
Length (L above)	21.65	23.62	23.62	23.62	23.62	25.59	29.53	33.46	35.43
Height (H above)	23.90	26.14	28.58	30.31	36.06	39.45	44.13	48.43	50.87
Flange Dia (D above)	22.99	25.51	27.99	30.51	35.98	38.27	42.99	47.52	50.00
Weight in lbs	396	528	805	970	1489	1712	Inquire	Inquire	Inquire

Wafer Style Sensor Overall Dimensions



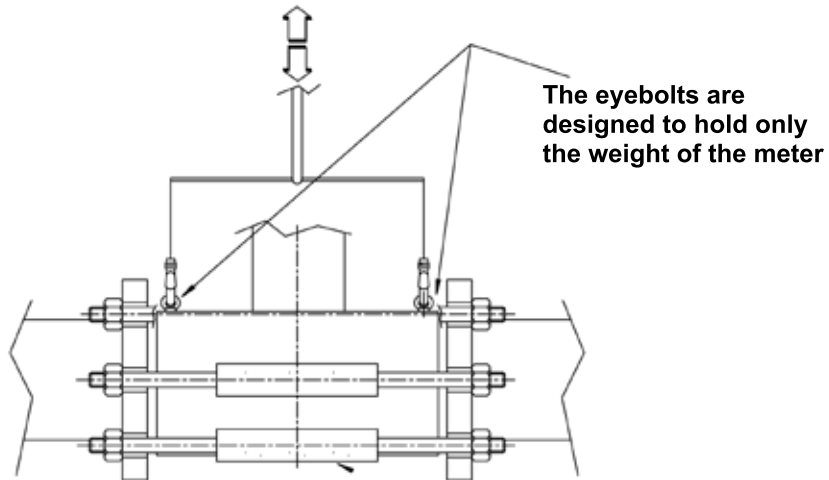
	Sensor Size													
Nominal Dia	1"	1.25"	1.5"	2"	2.5"	3"	4"	5"	6"	8"	10"	12"	14"	16"
L	3.94	3.94	3.94	3.94	5.90	5.90	5.90	7.09	7.09	7.87	9.84	11.81	13.78	15.75
H	5.79	6.02	6.34	6.97	7.83	8.23	9.25	10.35	11.46	14.25	16.42	18.39	20.75	22.80
D	2.20	2.44	2.76	3.39	4.25	4.65	5.67	6.77	7.87	10.67	12.83	14.80	17.17	19.21
G	-	-	-	-	-	-	-	-	-	5.67	7.64	9.60	11.57	13.54
Net Weight in lbs	2.6	3.5	4.0	4.4	7.9	8.4	11	17.2	18	40	53	59	70	86

Threaded Version



	Polypropylene	Stainless Steel
Weight	4.85 lbs	4.85 lbs
L	5.5"	4.72"
H	7.4"	6.69"
W	3.8"	3.07"

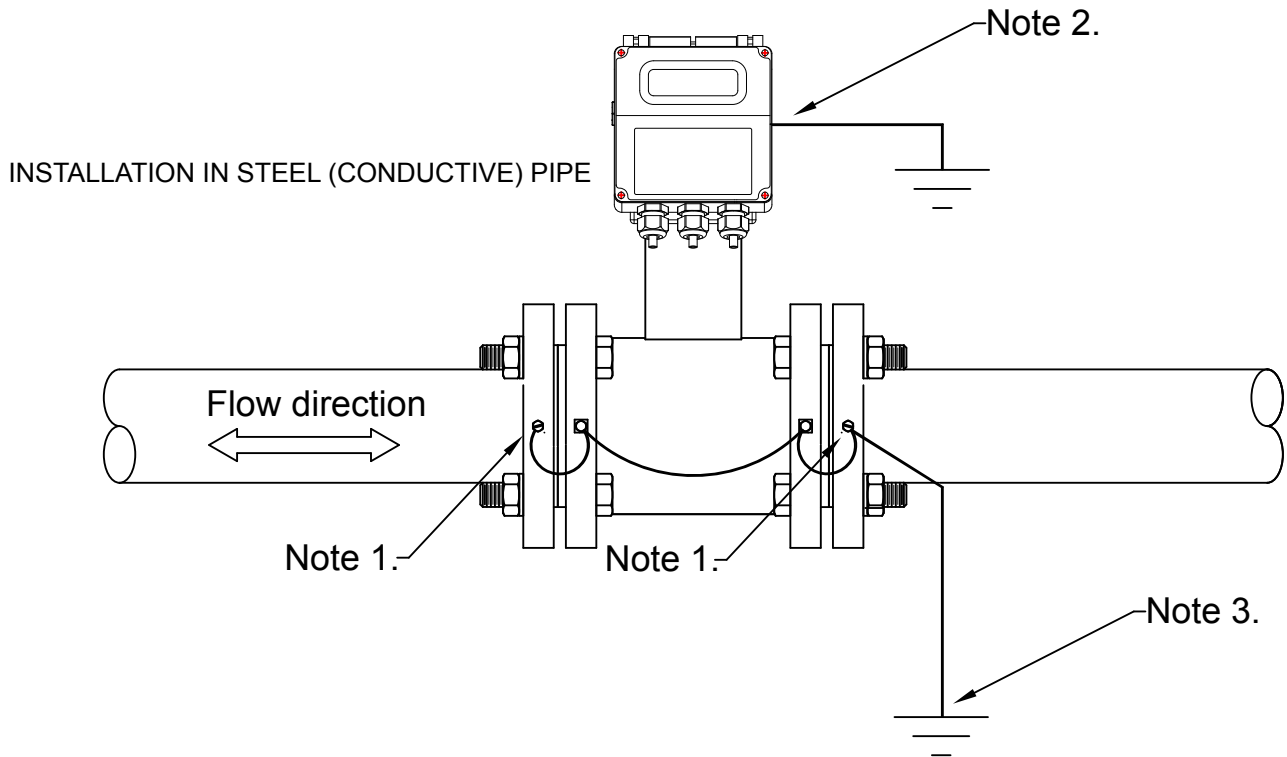
Recommended method for lifting all sensors with eyebolts



WARNING

Eyebolts are provided to assist in the safe installation of meters with a nominal diameter greater than 6 inches. The eyebolts are only designed to hold the weight of the meter. Do not attempt to place an additional load on the eyebolts during installation.

3.2.3 Installation Drawings for Conductive Pipe



Note 1. Using a #21 (0.159”) drill bit, drill a ½” deep hole in edge of each mating flange. Tap each hole using a 10-32 tap. Secure the ring connectors (provided) and grounding wires to the flange using the green grounding screws (provided).

(Alternate method: Weld 10-32 studs (not provided) to the flange faces and attach ring connectors with 10-32 nuts (not provided).

Note 2. Provide a ground connection at the input power terminals inside the transmitter enclosure.

Note 3. Provide a quality earth ground connection to the meter.

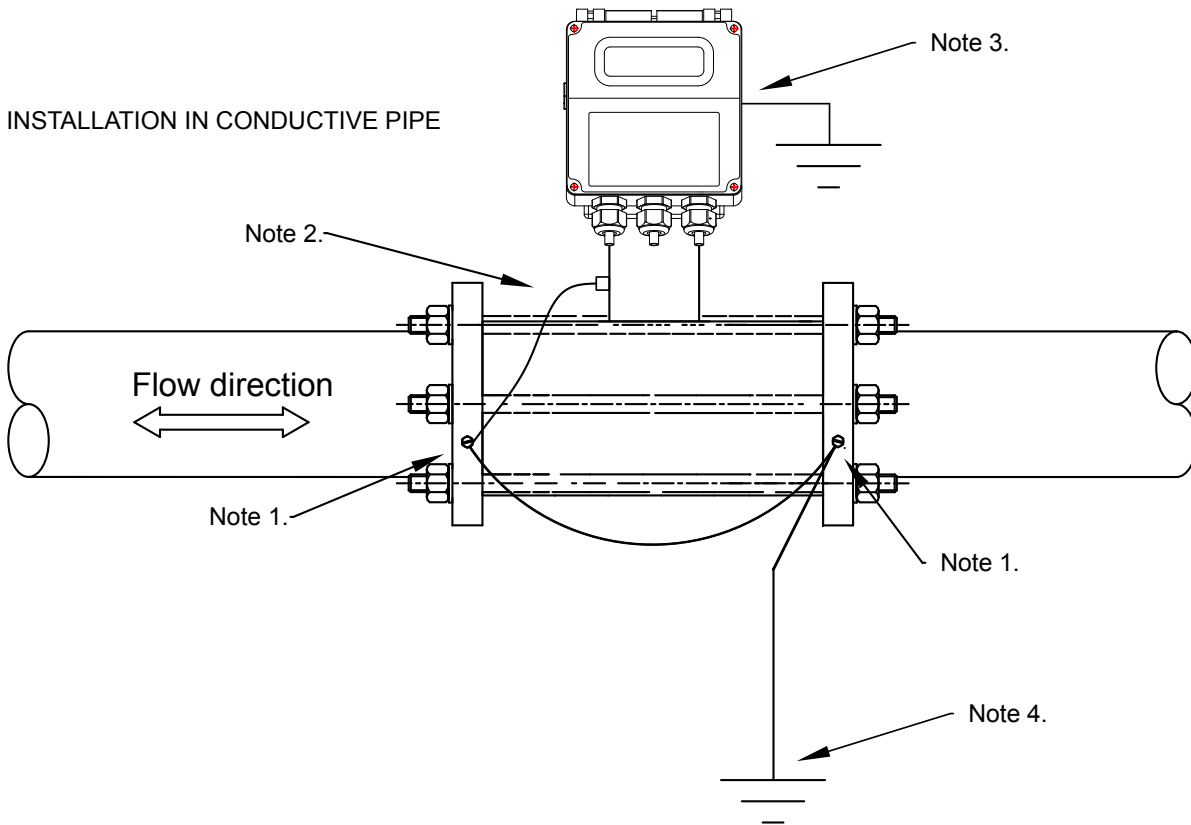
From best to worst, grounding options include:

1. Earth grounding rod driven into the soil.
2. Earth wire connected directly to the building electrical service panel.
3. Earth wire connection inside an electrical outlet near the meter.



CAUTION

The earth connections must be made as shown. Failure to do so will result in erratic operation of the meter.



Note 1. Using a #21 (0.159”) drill bit, drill a ½” deep hole in edge of each mating flange. Tap each hole using a 10-32 tap. Secure the ring connectors (provided) and grounding wires to the flange using the green grounding screws (provided).

(Alternate method: Weld 10-32 studs (not provided) to the flange faces and attach ring connectors with 10-32 nuts (not provided).

Note 2. For meters provided with a grounding electrode connect grounding wire to terminal on the meter neck as shown.

Note 3. Provide a ground connection at the input power terminals inside the transmitter enclosure.

Note 4. From best to worst, grounding options include:

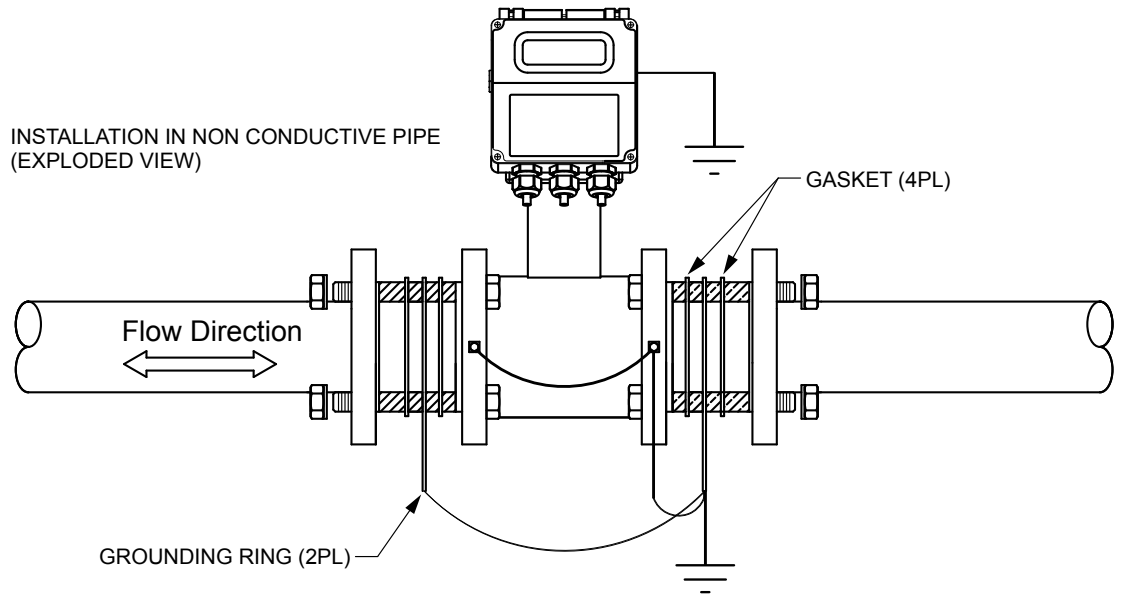
1. Earth grounding rod driven into the soil.
2. Earth wire connected directly to the building electrical service panel.
3. Earth wire connection inside an electrical outlet near the meter.

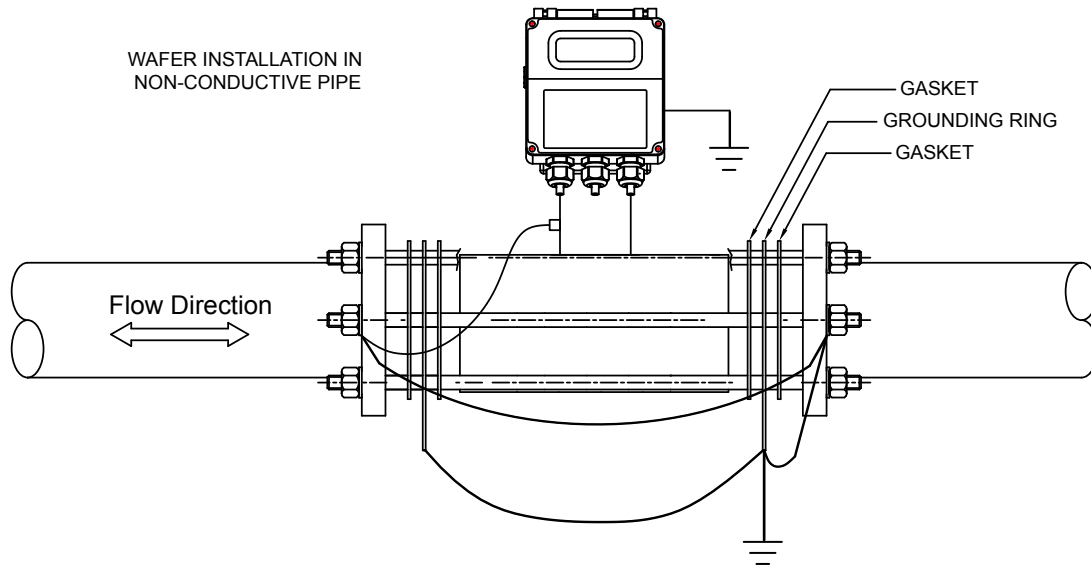


CAUTION

The earth connections must be made as shown. Failure to do so will result in erratic operation of the meter.

3.2.4 Installation Drawing for Non-Conductive Pipe

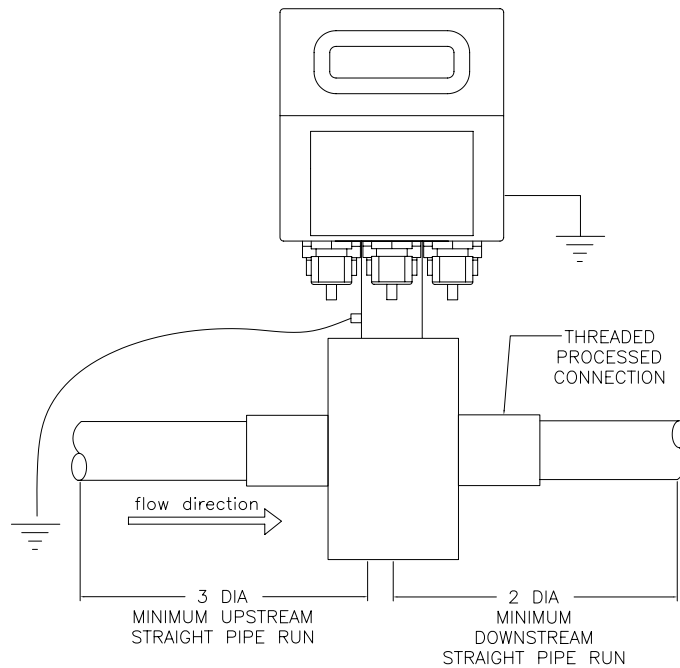




CAUTION

The earth connections must be made as shown. Failure to do so will result in erratic operation of the meter.

3.2.5 Installation Drawing for Threaded Connections



CAUTION

The earth connections must be made as shown. Failure to do so will result in erratic operation of the meter.

3.2.6 Installation Instructions

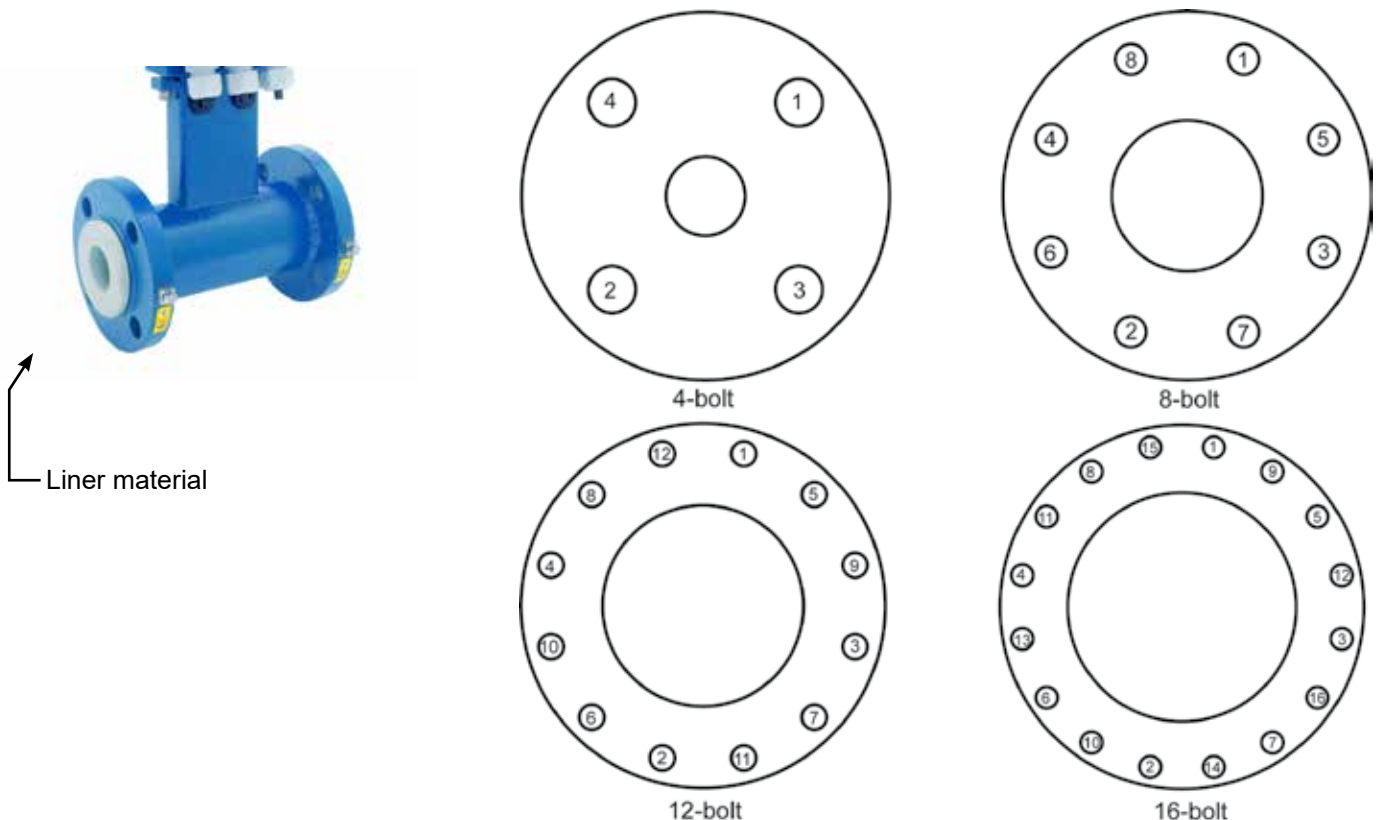


WARNING

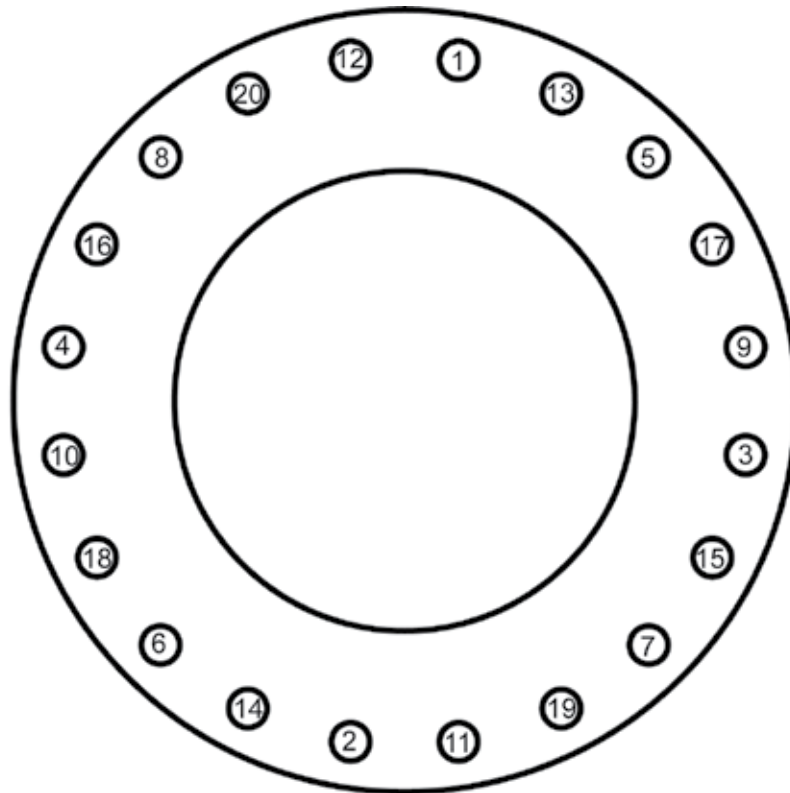
Installation of this product should only be attempted by qualified tradespersons and must comply with all local, state and federal building codes.

1. Thoroughly clean all flange surfaces removing all traces of any old gasket material or any adhesive residue.
2. Inspect all flange surfaces for warping, pitting or other surface imperfections that may prevent a good seal.
3. Use new bolts, nuts and hardened washers. ONICON recommends the use of B7 nuts, bolts and washers. Prior to installation, lubricate the bolt threads, nuts, washer faces and the underside of the bolt head with lubricant (Fel Pro C5A or equivalent). This lubricant is necessary to ensure uniform stress distribution on the sealing surface. Use care not to get any lubricant on the liner or gasket material.
4. Center the new gasket on the liner surface. Do not allow the gasket to protrude into the flow stream.
5. Use the torque specifications shown below to determine the recommended final bolt torque requirements.
6. Using a torque wrench, tighten the bolts in at least three stages (30%, 60% & 100%) using a repeating pattern sequence shown in the diagrams below.

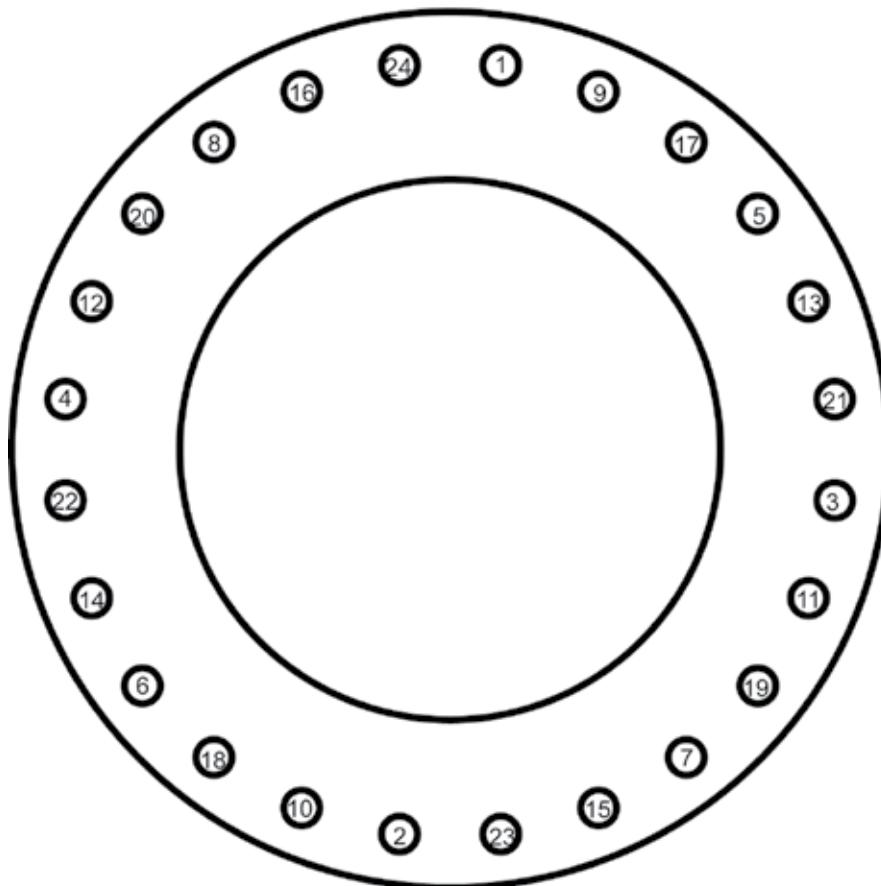
ANSI Class 150 Flange Bolt Tightening Sequence



ANSI Class 150 Flange Bolt Tightening Sequence



20-bolt



24-bolt

3.2.7 Torque Specifications

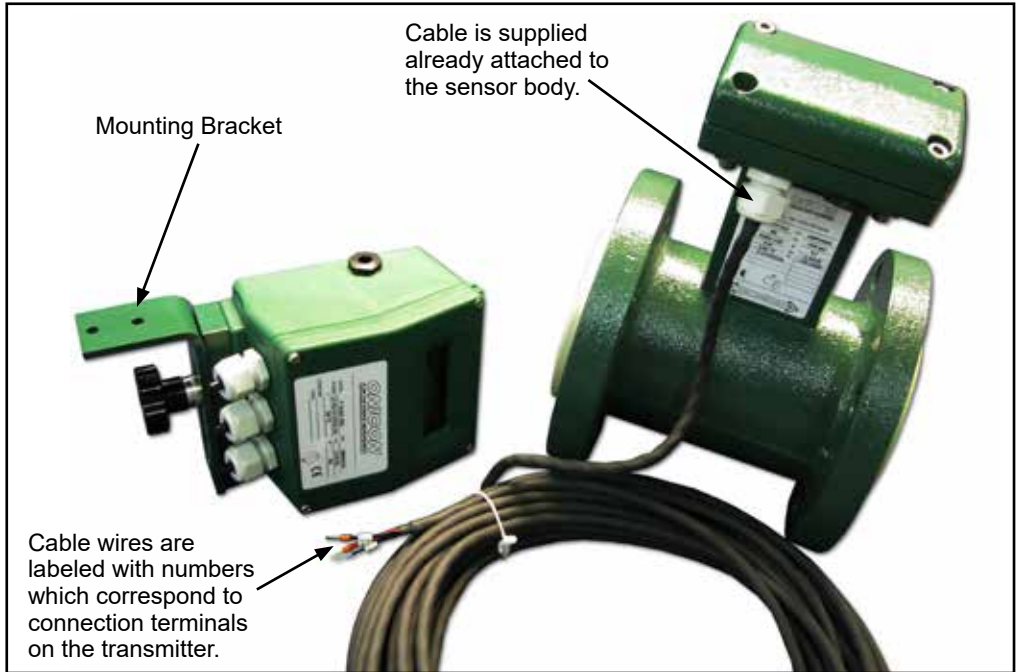
Tighten uniformly in a diagonal sequence as per the table below. Contact ONICON for torque specifications for meters with a nominal diameter larger than 40 inches.

Maximum Flange Bolt Torque Specifications in lb-ft (N-m)										
Nom. Dia. (DN)	Class 150			Class 300		PN16			PN25	
	Polypro	Ebonite	PTFE	Ebonite	PTFE	Polypro	Ebonite	PTFE	Ebonite	PTFE
1" (25)	14		15		24	14 (19)		18 (25)		18 (25)
1¼" (32)	21		19		30	21 (28)		32 (43)		32 (43)
1½" (40)	27		24		46	27 (36)		39 (53)		39 (53)
2" (50)	38		44		26	38 (52)		50 (68)		50 (68)
2½" (65)	55		58		39	55 (75)		66 (90)		33 (45)
3" (80)	30		66		50	30 (41)		39 (53)		39 (53)
4" (100)	41		52		69	41 (56)		44 (59)		61 (83)
5" (125)	52		69		96	52 (71)		57 (77)		83 (112)
6" (150)	78		78		83	78 (106)		80 (108)		100 (135)
8" (200)		319	109	383	131		212 (288)	73 (99)	288 (391)	99 (134)
10" (250)		336	115	398	136		301 (408)	103 (140)	439 (595)	150 (204)
12" (300)		504	173	592	203		376 (510)	129 (175)	434 (588)	148 (201)
14" (350)		698	240	684	235		441 (598)	151 (205)	697 (945)	239 (324)
16" (400)		672	230	884	303		606 (821)	208 (282)	917 (1243)	314 (426)
18" (450)		683	248	856	294		724 (981)	207 (281)		
20" (500)		682	234	1000	343		821 (1113)	282 (382)		
24" (600)		996	342	1665	571		1223 (1658)	419 (568)		
30" (750)		970	333	2377	815					
36" (900)		1330	456	3028	1038		1117 (1515)	383 (519)		
40" (1000)		1583	543	3439	1179		1553 (2105)	532 (721)		

Maximum Flange Bolt Torque Specifications in lb-ft					
Nom. Dia. (DN)	PN10		PN40		PN64
	Ebonite	PTFE	Ebonite	PTFE	Ebonite
1" (25)				18 (25)	29 (39)
1¼" (32)				32 (43)	39 (53)
1½" (40)				39 (53)	53 (72)
2" (50)				50 (68)	60 (81)
2½" (65)				33 (45)	43 (58)
3" (80)				39 (53)	46 (62)
4" (100)				61 (83)	64 (87)
5" (125)				83 (112)	109 (148)
6" (150)				100 (135)	160 (217)
8" (200)	319 (432)	109 (148)	384 (391)	131 (178)	
10" (250)	265 (359)	91 (123)	575 (595)	197 (267)	
12" (300)	306 (415)	105 (142)	599 (588)	205 (278)	
14" (350)	370 (502)	127 (172)	908 (945)	311 (422)	
16" (400)	466 (632)	160 (217)	1331 (1243)	457 (619)	
18" (450)	416 (564)	143 (194)			
20" (500)	481 (652)	165 (224)			
24" (600)	695 (942)	238 (323)			
30" (750)					
36" (900)	968 (1312)	332 (450)			
40" (1000)	1253 (1699)	429 (582)			

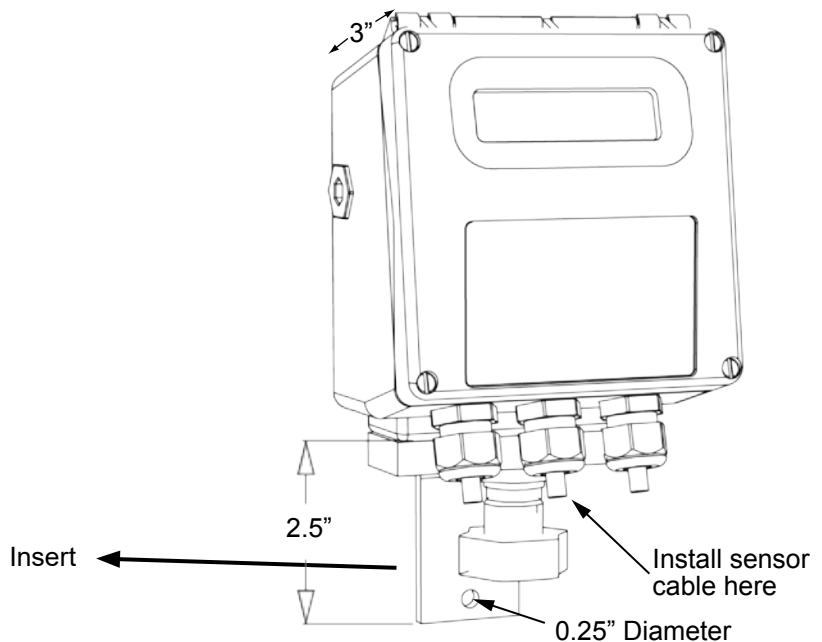
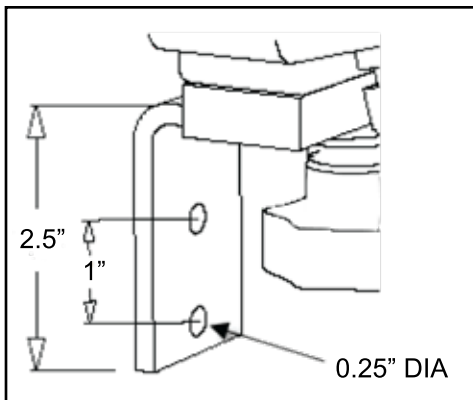
3.2.8 Remote Mount Transmitter

Remote mount transmitters are provided with a single “L” bracket with two ¼” mounting holes. The bracket is secured to the transmitter by means of a large bolt with a knurled knob for a head. To mount the bracket, first separate it from the transmitter housing and attach it to the wall or other vertical surface. Cable from the sensor body is attached to the transmitter using the center strain relief.



CAUTION

DO NOT drill holes in the transmitter. Use only the openings that are provided. **DO NOT** cut the remote cable. Coil excess cable at one end.



3.3 ELECTRICAL INSTALLATION

3.3.1 Input Power Requirements

F-3000 Electromagnetic Flow Meters equipped with standard transmitters are available with two different options for input power. This is not a user selectable function and must be configured at the factory.

Special care is required to ensure that the F-3100 is properly connected to earth through an earth wire. This connection is required to prevent random electrical noise from interfering with the operation of the meter. (See section 3.3.3 for details.)

* Low Voltage: 10 – 63 VDC, 15 – 45 VAC 45/66 Hz, 300 mA maximum

* High Voltage (Mains): 90 – 265 VAC 45/66 Hz, 35 mA maximum



IMPORTANT NOTE

This option is not field selectable. Contact the factory if you need to change the input voltage rating.



CAUTION/WARNING

This product must be connected to earth ground for proper operation. Failure to do so will result in erratic operation and an increased risk of injury.



WARNING

All mains voltage connections must be made through pre-drilled conduit/strain relief opening located at the bottom of the enclosure. Failure to do so will result in an increased risk of injury.

3.3.2 Power and Output Signal Wiring Instructions

Factory Default Output Configurations

ONICON pre-programs the analog and pulse outputs based on application specific data provided at the time the meter is ordered. The table below shows how the pulse outputs are configured based on whether the application has bi-directional flow and if the meter will be connected to an ONICON peripheral device such as an ONICON Btu meter or display module.

In all applications the analog 4-20 mA output is available at terminals 9 (+) and 10 (-).

Application	Pulse Output #1 Terminals: 16 (+) & 17 (-)	Pulse Output #2 Terminals: 18 (+) & 19 (-)
Standard	Frequency	Scaled Pulse
Bi-directional	* Scaled Output	Flow Direction

* This output will be configured for frequency if the flow meter is provided with a peripheral device.

Step 1: Loosen screws to lift cover.



Step 2: Lift cover to expose electrical connections.



Step 3: Make SIGNAL connections as shown
Pull straight out on connectors to remove them.

SIGNAL CONNECTIONS		
4-20 mA Output	Pulse Out 2	Pulse Out 1
Pin 9 - Pos (+)	Pin 18 - Pos (+)	Pin 16 - Pos (+)
Pin 10 - Neg (-)	Pin 19 - Neg (-)	Pin 17 - Neg (-)

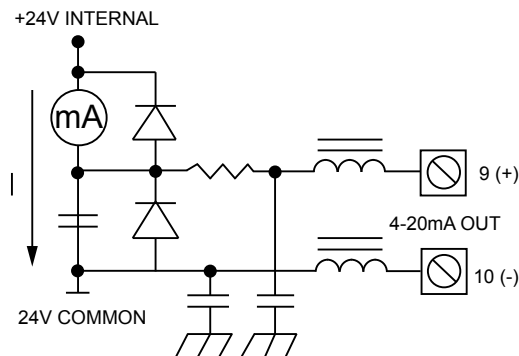


Step 4: Open cover to expose POWER connections.

POWER CONNECTIONS	
Remove retaining screw to expose connector. (Shown with High Voltage)	Power connections are under this cover.

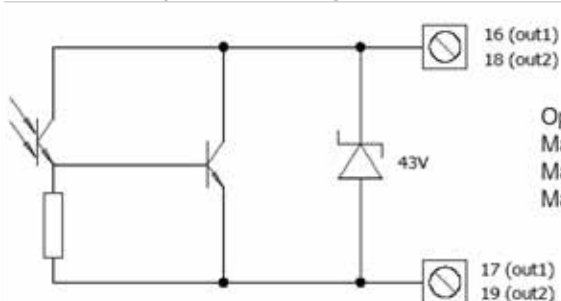


4-20 mA OUTPUT



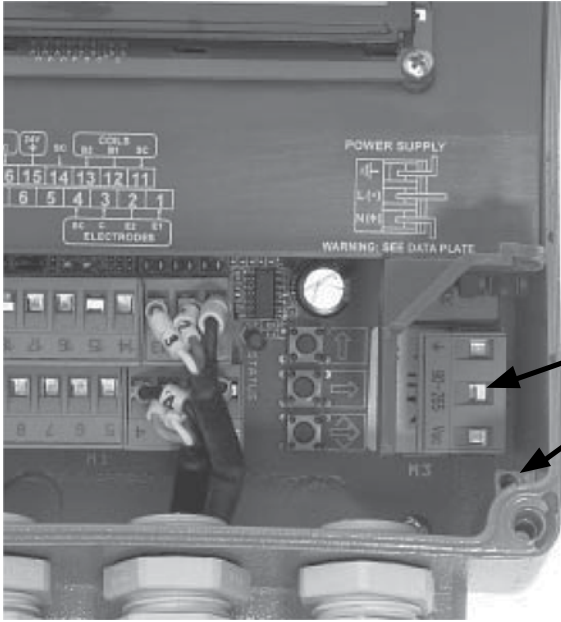
- Opto-coupled output
- Maximum load: 1000Ω
- Internally Powered Loop
- Maximum voltage without load: 27V
- Refresh frequency is the same of the sample frequency of the the connected sensor body
- Protected against persistent over voltages to maximum 30V

Pulse Output 1 / Pulse Output 2



Opto-coupled open collector pulse outputs
Maximum voltage: 40VDC
Maximum current: 100mA
Maximum saturation voltage collector/emitter @ 100mA: 3 VDC

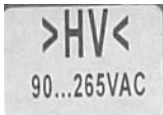
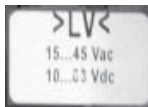
POWER CONNECTIONS CONTINUED



Step 5: Pull straight out on the connector to remove it.

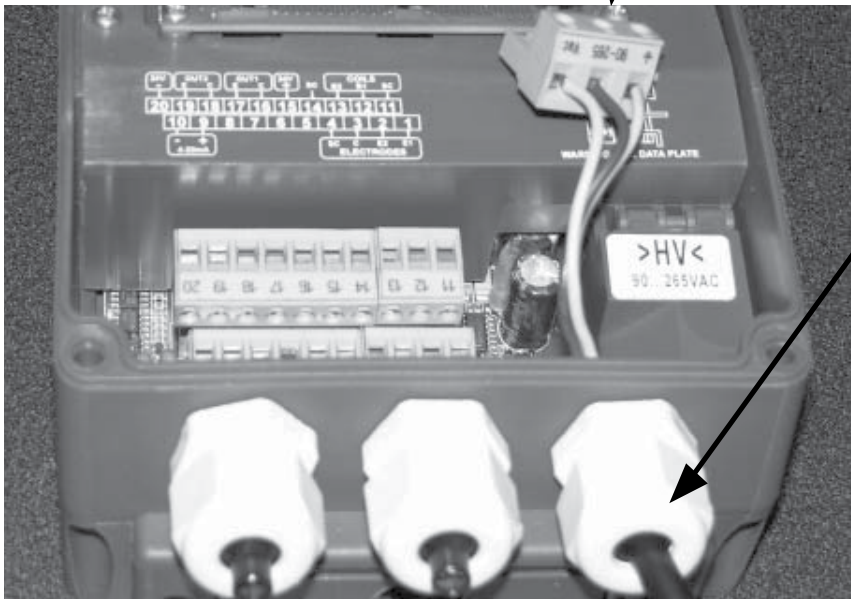
Low voltage version

High voltage version



Step 6: Wire the connector as shown based on input type. Earth connection must be made.

Step 7: Use the right hand strain relief for installing the power cable or power conduit.



3.3.3 Earth Connection

F-3100 Electromagnetic Flow Meters are designed to detect microvolt signal levels at the electrodes located in the flow meter body. These signals are generated as conductive fluids flow through the magnetic field generated by the meter. If enough random electrical noise is present at the electrodes, it can interfere with the flow measurement. Care must be taken during installation to minimize the effects of electrical noise on the flow meter.

The most effective way to minimize the effects of electrical noise is to make sure that the pipe, fluid, flow meter body and flow meter transmitter are all connected to the same earth ground. This accomplishes two important goals. First, it ensures that the pipe, fluid, flow meter body and electronics are all at the same electrical potential, and second, it ensures that this electrical potential is the same as earth ground.

In order to be certain that the meter is properly connected to earth, the flow meter body earth connections (at the flanges or on the neck of wafer meters) and the transmitter earth connection should be run directly to a known earth connection. The length of this earth cable should be as short as practically possible, preferably ≤ 25 feet in length. The table below lists earth connections from best to worst.



IMPORTANT NOTE

Non-metallic pipes are more susceptible to electrical noise. Grounding rings installed upstream and downstream of the flow meter body to reduce the electrical noise present in the pipe may be required for proper operation.



CAUTION

Do not use bolts that hold pressure to make earth connections. Using flange bolts may result in poor electrical connections due to the presence of paint and/or lubricants. Use the dedicated flange earth connections or the dedicated earth connection on the neck of wafer style meters.

Earth Connections (stranded wire 14 - 18 AWG)	
Best	Earth grounding rod driven into the ground.
	Earth wire connected directly to the building electrical service panel.
Worst	Earth wire connection inside an electrical outlet near the meter.

3.3.4 Remote Mount Cable Wiring Instructions



CAUTION

Do not cut the remote mount cable. The wires are not color coded.



Cable wires are labeled with numbers which correspond to connection terminals on the transmitter.

Install remote cable through the center strain relief as shown.

Connect the coil and electrode wires to the appropriate terminals according to the numbered tags on each wire.

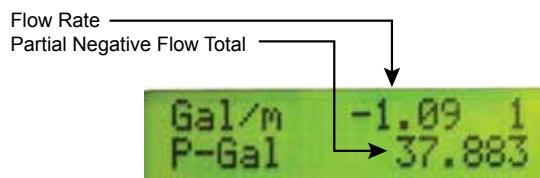
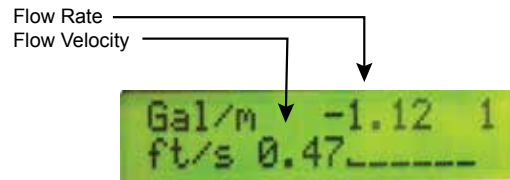
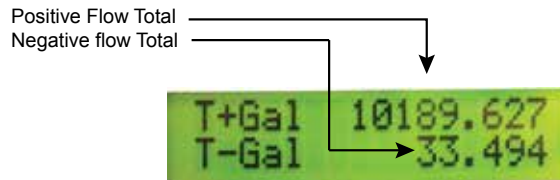
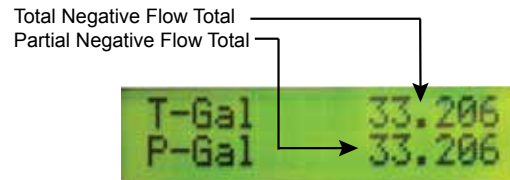
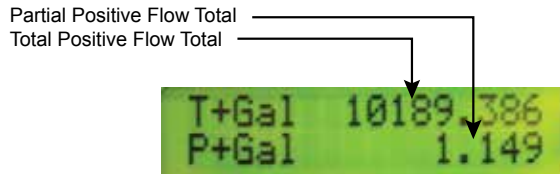
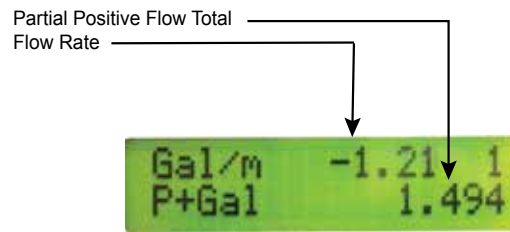
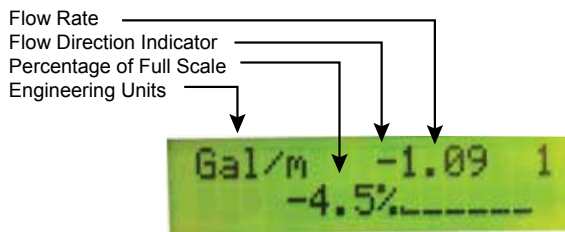
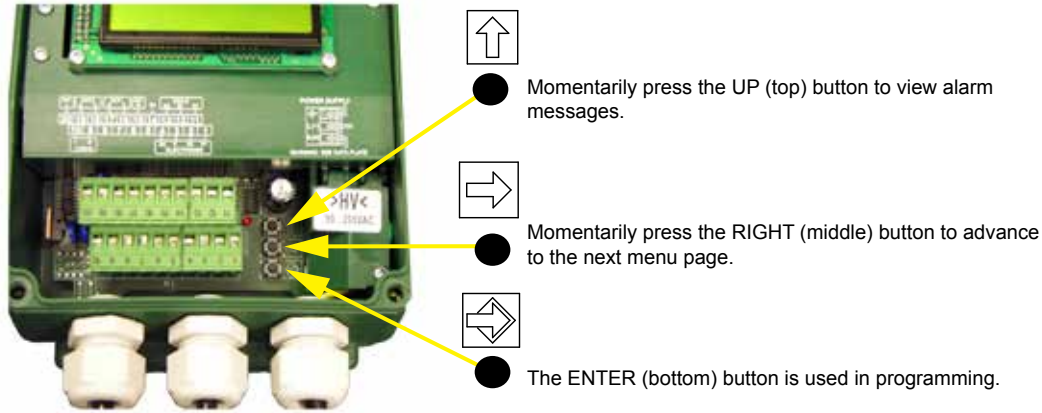


SECTION 4.0: METER START UP & COMMISSIONING
FOR ONICON F-3100 SERIES FLOW METERS

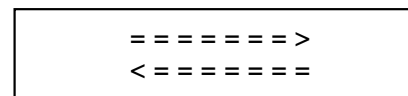


4.1 DISPLAY AND USER INTERFACE

The F-3100 standard transmitter is equipped with a 2 line by 16 character LCD with 0.2" high characters. Three pushbutton switches located inside the transmitter enclosure are used to change the displayed data and program the meter functions.



When selected, this page will cause the menu pages to scroll automatically.



4.2 HELPFUL HINTS FOR START-UP AND COMMISSIONING

A step-by-step procedure and companion worksheet are located on the next two pages. Please read all installation instructions and these helpful hints carefully before proceeding with installation, start-up and commissioning.

1. ONICON flow meters are individually calibrated for a particular application. Be sure to verify the pipe size and location.
2. The electronic sensing system will not work in air. The pipe must be full for proper operation.
3. When measuring analog output signals, remember that currents (mA) must be measured in series, while voltages are measured in parallel. If the 4-20 mA signal is already connected to a control system, you must break the connection and measure the signal in series.
4. When measuring frequency outputs in hertz, take your multimeter out of “autorange mode” and manually set range for a voltage level above 15 VDC. This will prevent false readings when signal is not present.
5. Never connect power to analog or frequency output signal wires. ONICON F-3100 Flow Meters are not “loop powered” devices.

4.3 START-UP AND COMMISSIONING

Please read the entire procedure carefully before proceeding. Wiring instructions are located on pages 21 - 24 of this manual. A worksheet for checking off the following steps and recording measured values is located on the next page.

1.	Confirm flow meter location and adequate straight pipe run to achieve desired results.	Is the meter located in the correct location as required by the plans? Compare actual straight pipe upstream and downstream of the meter location to recommended distances identified in this manual.
2.	Confirm control system programming.	Confirm that the control system input point is properly configured for the analog range (or scale factor) identified on the calibration certificate.
3.	Confirm connection to correct ONICON display or Btu meter (if ordered).	Confirm that the flow meter serial number matches the ONICON display or Btu meter serial number (when ordered together).
4.	Verify wiring before connecting power.	Prior to connecting the power, verify that the wiring is correct as shown in this manual and/or the additional wiring diagram provided with ONICON display or Btu meter. If in doubt, contact ONICON for assistance before proceeding further.
5.	Verify that the input voltage available to power the meter is appropriate for the meter version. (Check label inside transmitter enclosure LV=Low voltage, HV=High voltage).	Low voltage: 10 - 63 VDC or 15 - 45 VAC 45/66 Hz, 300 mA maximum High voltage: 90 - 265 VAC 45/66 Hz, 35 mA maximum
6.	Connect power.	Wait approximately 45 seconds after power-on before proceeding further.

The following steps require flow in the pipe. Flow signal readings should be taken while holding the flow rate constant if possible. Otherwise, take the various output readings as quickly as possible.

7.	Measure and record analog or binary outputs. Current Output: Scaled Output:	Refer to flow meter wiring diagram for the various outputs available based on your particular flow meter model. Use the following formulas to calculate flow rate from measured analog signals: $\text{GPM} = \frac{(\text{measured current in mA} - 4) \times \text{Full Scale Analog Flow Rate}}{16}$ Each contact closure = unit volume identified as “Scale Factor” (measure and record time interval between contact closures)
8.	Compare various output signals to each other and to the flow rate displayed and to the control system.	Compare the flow rates calculated in STEP 7 to the flow rate indicated by the display and the control system. Refer to troubleshooting guide when readings are inconsistent.

4.4 START-UP AND COMMISSIONING WORKSHEET

Please read all installation instructions carefully prior to proceeding with these steps. Use the following worksheet for checking off the commissioning steps and recording measured values.

STEP	TEST/MEASUREMENT	S/N: _____	S/N: _____	S/N: _____	S/N: _____
1.	Meter location:				
2.	Control system programming:				
3.	Match display or Btu meter serial # (S/N) if ordered:				
4.	Signal connections verified:				
5.	Supply voltage verified:				
6.	Connect power:				

The following steps require flow in the pipe. Flow signal readings should be taken while holding the flow rate constant if possible. Otherwise, take the various output readings as quickly as possible.

10.	Analog or binary outputs				
	4-20 mA signal:	_____ mA	_____ mA	_____ mA	_____ mA
	scaled output interval	_____	_____	_____	_____
	Calculated flow rate:	_____ GPM	_____ GPM	_____ GPM	_____ GPM
11	Flow rates displayed on meter display:	_____ GPM	_____ GPM	_____ GPM	_____ GPM
	control system:	_____ GPM	_____ GPM	_____ GPM	_____ GPM

4.5 TROUBLESHOOTING GUIDE

NOTE: Also refer to the START-UP AND COMMISSIONING GUIDE located on the preceding pages.

REPORTED PROBLEM	POSSIBLE SOLUTIONS
No signal	<ul style="list-style-type: none"> • Verify correct wiring to control system (See wiring diagram.) • Check display for alarm messages. Verify that the pipe is full. • Verify that the sensor body and transmitter are both connected to earth ground.
Reading is too high or low	<ul style="list-style-type: none"> • Verify correct wiring to control system (see wiring diagram). • Confirm that the output signals are consistent (frequency vs. analog, etc). • Confirm that the control system is programmed for correct flow range or scale factor.
Analog signal seems high or low and does not correspond to frequency output	Check for ground loop or offset voltage: <ul style="list-style-type: none"> • Verify that the sensor body and transmitter are both connected to earth ground. • Disconnect analog signal input from control system and measure analog outputs directly from the flow meter. • Re-connect signal input to control system and measure the analog signals again. • Any difference between these readings indicates a potential ground loop or offset voltage. • Please contact ONICON for further assistance.
Control system displays flow rate, but no flow rate is indicated on the local display module or Btu meter	<ul style="list-style-type: none"> • Verify that all of the wires from the flow meter are connected to the display module or Btu meter. • The frequency output wire (green) must be connected for any ONICON display or Btu meter.

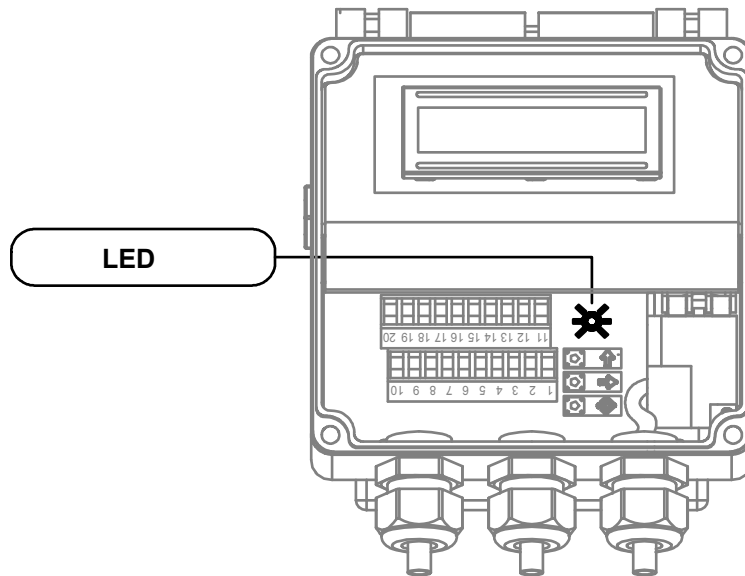
4.6 ALARM INTERPRETATION AND STATUS LED's

ALARMS

dm³/s +0.00005!M
+0.00%-----

Alarm Indicators

Symbol	Description
M	When activated, this symbol indicates flow in excess of the set point. Range: 0-125% of full scale
m	When activated, this symbol indicates flow below the set point. Range: 0-125% of full scale
!	<ul style="list-style-type: none"> • Open coil connection • Signal error • When activated, indicates empty pipe.
C	Calibration running
S	Transmitter in simulated output mode
Ω	Pulse output saturated (change pulse rate or duration)



Status LED

Continuously ON: Initialization of firmware
Flashing LED: (1 second rate): Normal operation
Flashing LED: (<1 second rate): Alarm condition

APPENDIX

A-1/A-3 FIELD REMOTE MOUNTING THE TRANSMITTER

A-4 CONDITIONS OF SALE

Field Remote Mounting the Transmitter

Wiring Instructions

Section 1: Removing the Transmitter

Before attempting to remote mount the transmitter, disconnect power at the source.

Step 1

Open cover. Slide cover off to the right, if desired.



Step 2

Open compartment to expose power connection.



Step 3

Remove power connector from its socket. Remove wires from the connector and set aside.



Step 4

Remove electrode and coil connectors from their sockets.



Step 5

Remove electrode and coil wires from connectors and set aside.



Step 6

Remove mounting screws from the bottom of the enclosure. Screws do not need to be fully removed.



Step 7

Carefully separate the electronics enclosure from the sensor body. As the two come apart, feed the sensor wires through the opening in the bottom of the enclosure.



Section 2: Installing the Remote Mount Junction Box

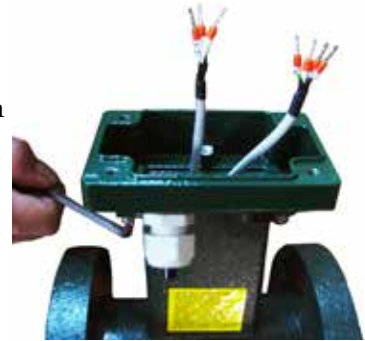
Step 1

Remove the cover and circuit board from the remote mount junction box.



Step 2

Feed the cables through the holes in the bottom of the junction box and mount it in place.



Step 3

Re-install the circuit board.



Step 4

Attach the cables to the terminal blocks as shown.



(Note: Each wire is labeled with a number that corresponds to a terminal location.)

Step 5

Install the remote mount cable through the strain relief supplied with the junction box.



Step 6

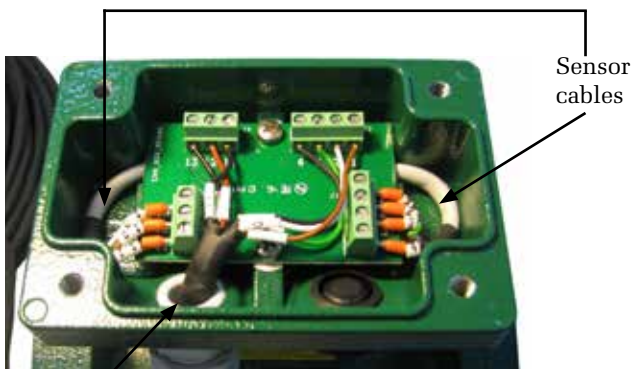
Install the remote mount cable to the numbered terminal block positions.



Step 7

Cables should be connected as shown.

Remote transmitter cable



Sensor cables

Step 8

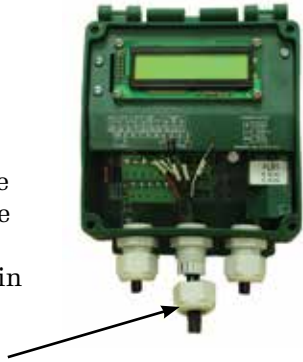
Re-install the cover.



Section 3: Wiring the Transmitter

Step 1

Remove the retaining nut and black plastic plug from the center strain relief on the enclosure and feed the nut over the end of the cable. Then feed the cable through the strain relief.



Step 2

Attach the green connectors to the end of the cable. Numbers on each wire correspond to the numbers on the connectors.



Step 3

Re-install the connectors and tighten the strain relief. Re-install the power cable and connector.



Step 4

Remove the o-ring from the remote mount bracket and place it into the gland on the bottom of the enclosure as shown.



Step 5

Attach the mounting bracket using the screws and lock washers supplied in the kit.



Step 6

Close and fasten the cover.



IMPORTANT NOTE

Transmitter programming must be changed to complete the remote mount installation.

CONDITIONS OF SALE

1. **ACCEPTANCE:** The following Conditions of Sale apply to all sales of ONICON's products. These provisions shall apply even if ONICON fails to object to provisions appearing on, incorporated by, referenced in, or attached to Buyer's purchase order form. Buyer's acceptance of delivery of ONICON's products constitutes its acceptance of these Conditions of Sale.
2. **DELIVERY AND TITLE:** All product shipments are Ex Works shipping point and title passes to the Buyer at the time ONICON delivers the merchandise to the carrier. Risk of loss or damage to the product passes to the Buyer at the time ONICON delivers the product to the carrier. The Buyer immediately upon receipt should inspect all shipments, and should there be any evidence of damage or loss in transit, Buyer must file claims or tracers upon carrier. ONICON will assist in tracing shipments upon request.
3. **LIMITED WARRANTY:** ONICON warrants that for a period of two (2) years following the date of original shipment of an ONICON product: (i) the product will conform to ONICON's standard written specifications applicable to such product in effect on the date of Buyer's order, or as modified by ONICON's quotation or Buyer's purchase order accepted by ONICON, (ii) the product will be free from defects in workmanship, and (iii) that ONICON has title to the product prior to shipment to the Buyer; provided, however, that the warranties provided herein shall be void and may not apply in the event Buyer misuses or damages a product, including, but not limited to, any use by the Buyer of a product for an application other than one of a type approved by ONICON. ONICON's sole liability and Buyer's sole remedy for any breach of the foregoing warranty is for ONICON to repair or replace, at ONICON's option, any defective product that is returned to ONICON during the warranty period. EXCEPT AS MAY BE SPECIFICALLY AGREED BY ONICON IN WRITING IN RELATION TO EACH SALE, NO OTHER WARRANTIES SHALL APPLY, WHETHER EXPRESSED, IMPLIED OR STATUTORY, AND THERE SHALL BE NO IMPLIED WARRANTIES OF MERCHANTABILITY AND FITNESS FOR A PARTICULAR PURPOSE.
4. **REMEDIES:** ONICON's OBLIGATION UNDER THE FOREGOING WARRANTIES IS LIMITED SOLELY TO REPAIR OR REPLACEMENT, AT ONICON's OPTION, OF DEFECTIVE OR NONCONFORMING PRODUCTS. ONICON SHALL NOT BE LIABLE FOR CONSEQUENTIAL, INDIRECT, PUNITIVE, INCIDENTAL, OR SPECIAL DAMAGES WHETHER FOUND ON CONTRACT, TORT OR ANY OTHER THEORY OF LAW. No products shall be returned to ONICON without its prior consent and transportation and insurance costs shall be prepaid. Any repair or replacement of ONICON's products under the foregoing warranty will be at no charge to the Buyer provided such repair is done at the ONICON factory or authorized service center. ONICON products that are repaired or replaced under this warranty will be returned to Buyer via the same method of shipment use to return the product to ONICON. Repair or replacement of ONICON products is conditioned upon ONICON's acknowledgement of any alleged defect or nonconformance during the warranty period and issuance of a Return Authorization number. All product returns must reference the Return Authorization number on the outside of the shipping carton and on any paperwork referencing the return.
5. **PRICES AND PAYMENT TERMS:** The prices set forth in the most recent quote or acknowledgement as applicable, supersede all previous prices or quotations. All quotations are subject to change or withdrawal without notice except as may be specifically noted on the face of the quotation. The prices shown do not include sales, excise or government charges payable by ONICON to Federal, State, or local authority. Any such tax or charge now or hereafter imposed upon the sale or shipment of the products under this contract will be added to the purchase price. Buyer agrees to reimburse ONICON for such tax or charge or provide ONICON with an acceptable exemption certificate. Payment of invoices will be due 30 days from the date of shipment of the products contained therein. In the event that payment of an invoice is not received by the invoice due date, ONICON will assess a late fee not to exceed 1.5% per month or 18% per year, or the maximum allowable by law whichever is lower.
6. **CANCELLATION:** Buyer may cancel its order, or any part of it, by sending written notice of cancellation to ONICON and paying a reasonable cancellation fee as determined by ONICON. The reasonable cancellation fee will reflect, among other factors, the expenses already incurred and commitments made by ONICON, sales and administrative costs and profit as determined by ONICON. If Buyer received a reduced price based on the quantity of products ordered, but has not purchased the applicable quantity at the time of cancellation. Buyer will pay the price it would have paid had ONICON's sale price been based on the quantity actually purchased.
7. **CHANGES:** If Buyer makes any changes in its drawings, designs, or specifications applicable in any contract with ONICON that cause an increase or decrease in the cost of performance of the contract, or if such changes result in rework or obsolescence, an equitable adjustment shall be made to the contract. Such changes are subject to ONICON's prior written consent.
8. **EXCUSABLE DELAY:** ONICON shall under no circumstance be responsible for failure to fill any order or orders when due to: fires, floods, riots, strikes, freight embargoes or transportation delays, shortage of labor, inability to secure fuel, material supplies, or power at current price or on account of shortages thereof, acts of God or of the public enemy, any existing or future laws or acts of the Federal or State Government (including specifically, but not exclusively, and orders, rules or regulations issued by any official or agency of any such government) affecting the conduct of ONICON's business with which ONICON in its judgment and discretion deems it advisable to comply as a legal or patriotic duty, or due to any cause beyond ONICON's reasonable control.
9. **PATENTS:** ONICON shall defend all suits or proceedings brought against Buyer or its customers arising from claimed infringements of any patent, trademark, service mark or copyright for any product furnished by ONICON and shall indemnify it against all costs, fees, and damages on the condition Buyer promptly notifies ONICON in writing and provides information and assistance to enable ONICON to conduct the defense, provided that ONICON shall have no such obligation in case of infringement resulting from ONICON's conformance to special requirements of Buyer. If ONICON is not able to settle any such suit or proceeding on acceptable terms, ONICON may, at its option, require return of the infringing product and refund the purchase price to Buyer less a reasonable allowance for depreciation or use.
10. **FAIR LABOR STANDARDS ACT:** ONICON represents that all products delivered under this contract are furnished in accordance with the applicable provisions of the Fair Labor Standards Act as amended.
11. **APPLICABLE LAW:** This document and any resulting contract shall be governed by and construed in accordance with the laws of the State of Florida. The courts of the State of Florida and the federal courts located in Florida shall have jurisdiction and venue with respect to litigation to this contract. In the event of litigation, the prevailing party shall be entitled to recover attorney's fees and costs from the non-prevailing party, including appellate attorney's fees.
12. **MODIFICATIONS:** These Conditions of Sale along with the prices, quantities, delivery schedules and other provisions and instructions in applicable quotations by ONICON or Buyer's purchase orders accepted by ONICON shall constitute the entire agreement between ONICON and Buyer pertaining to any resulting contract. They can be modified only in writing.