

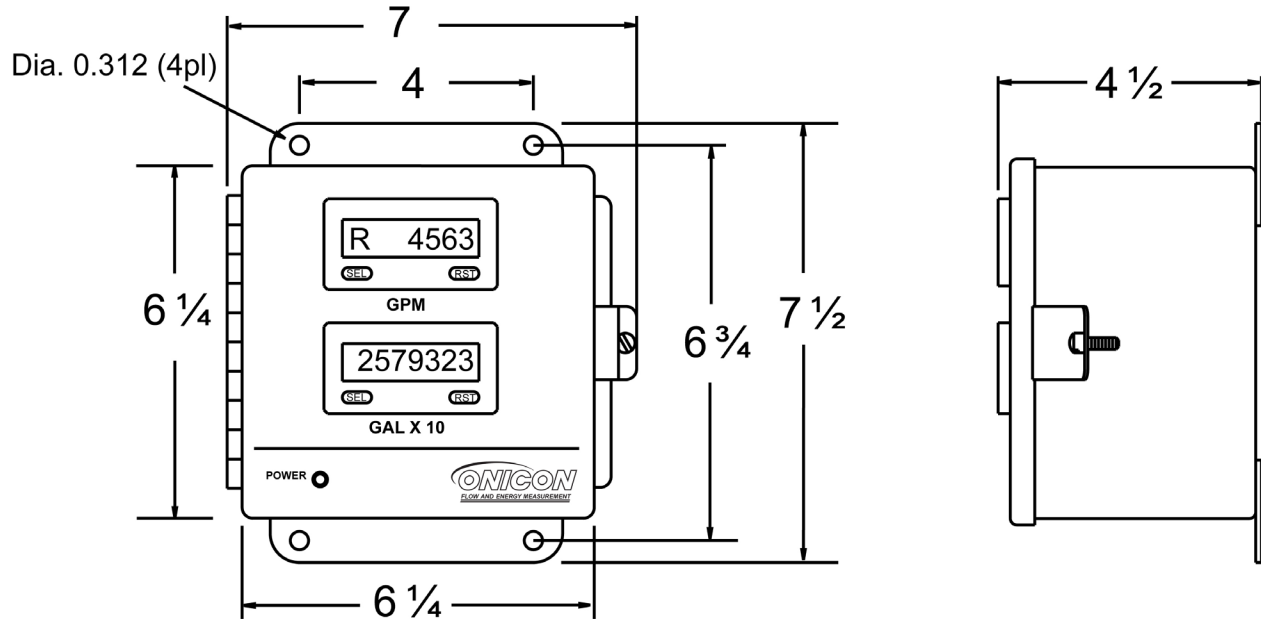
D-1201-01 or D-1202-01 DISPLAY MODULE INSTALLATION INSTRUCTIONS AND WIRING DIAGRAM



SITE SELECTION

Find an easily accessible location where wire connections can be made and meter readings can be taken from floor level. Mount the Display Module enclosure on a vibration free surface. Avoid locations such as the plenum of a fan coil, heat exchanger, VFD or any housing that may contain electric motors or other strong sources of electrical interference.

MECHANICAL INSTALLATION



ELECTRICAL INSTALLATION - (Contact ONICON for a wiring diagram specific to the serial number of your display.)

OPERATING THE DISPLAY MODULE

- When power is applied to the display module, the power on LED will light and the black LCD display segments will illuminate. The display(s) will indicate flow data if the flow meter(s) is connected and there is flow in the pipe.
- The letter "R" will precede the displayed value when the display is indicating a flow rate such as GPM. Values shown without "R" preceding the number are totals.
- For displays configured to indicate both rate and total, use the SEL button to toggle the display between rate and total values.
- Engineering units and multipliers are shown immediately below the display as shown above. Multiply the current reading by the multiplier to determine the correct rate and/or total.
- The RST button, if enabled, will reset accumulated totals to zero when pressed. ONICON display modules are shipped with the RST button disabled. Contact ONICON if you wish to enable this function. The display will indicate "Cnt OVER" when the total exceeds the maximum count.